



Modicon ABE7

Telefast Pre-wired system

Modicon ABE7 IP20 connection sub-bases



Modicon

Discover [Modicon](#)

Edge control for Industrial IoT

Modicon IIoT-native edge controllers manage complex interfaces across assets and devices or directly into the cloud, with embedded functional safety and cybersecurity. Modicon provides performance and scalability for a wide range of industrial applications up to high-performance multi-axis machines and high-available redundant processes.

Explore our offer

- [Modicon HVAC Controllers](#)
- [Modicon PLC](#)
- [Modicon Motion Controllers](#)
- [Modicon PAC](#)
- [Modicon I/O](#)
- [Modicon Networking](#)
- [Modicon Power Supply](#)
- [Modicon Wiring](#)
- [Modicon Safety](#)

Life Is On



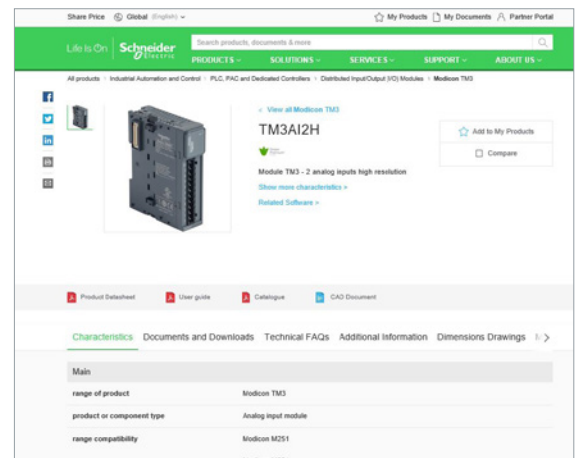
Quick access to product information

Get technical information about your product

References

Modicon TM3
I/O expansion modules for Modicon controllers
Analog I/O modules

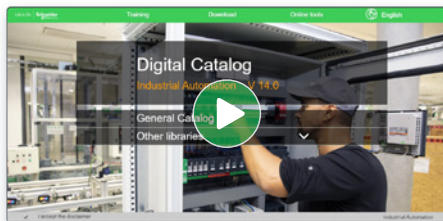
Number and type of channels	Input range	Output range	Resolution	Input terminal (Modicon)	Reference	Weight
2 enhancement inputs	-10...+10 VDC 0...20 mA, 4...20 mA	10 mA or 10 mA + sign	12 bits or 12 bits + sign	Terminal 2	TM3AI2H	0,110
4 enhancement inputs	-10...+10 VDC 0...20 mA, 4...20 mA	10 mA or 10 mA + sign	12 bits or 12 bits + sign	Terminal 2	TM3AI4H	0,130
4 enhancement or temperature inputs	-10...+10 VDC 0...20 mA, 4...20 mA	10 mA or 10 mA + sign	12 bits or 12 bits + sign	Terminal 2	TM3AI4T	0,130
4 differential temperature inputs	Thermocouples (K, J, N, S, T, E, C) RTDs (Pt100, Pt500, Pt1000, Ni1000)	10 mA or 10 mA + sign	12 bits or 12 bits + sign	Terminal 2	TM3AI4D	0,130
2 enhancement	-10...+10 VDC	10 mA or 10 mA + sign	12 bits or 12 bits + sign	Terminal 2	TM3AI2	0,110



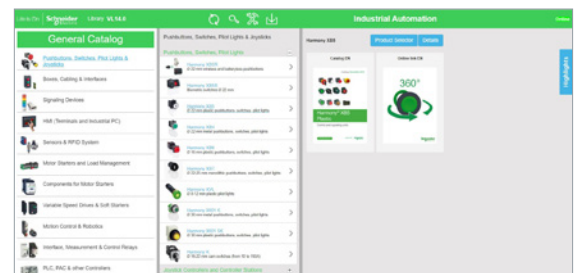
Each commercial reference presented in a catalog contains a hyperlink. Click on it to obtain the technical information of the product:

- Characteristics, Dimensions and drawings, Mounting and clearance, Connections and schemas, Performance curves
- Product image, Instruction sheet, User guide, Product certifications, End of life manual

Find your catalog



- > With just 3 clicks, you can access the Industrial Automation and Control catalogs, in both English and French
- > Consult digital automation catalogs at [Digi-Cat Online](#)

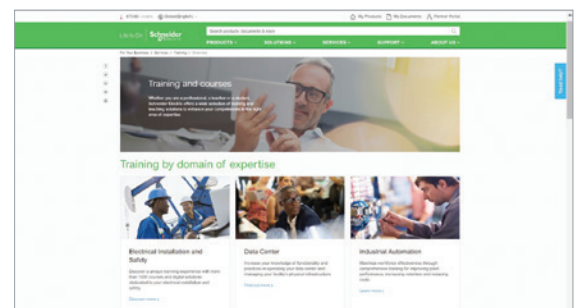


- Up-to-date catalogs
- Embedded product selectors, 360° pictures
- Optimized search by commercial references

Select your training



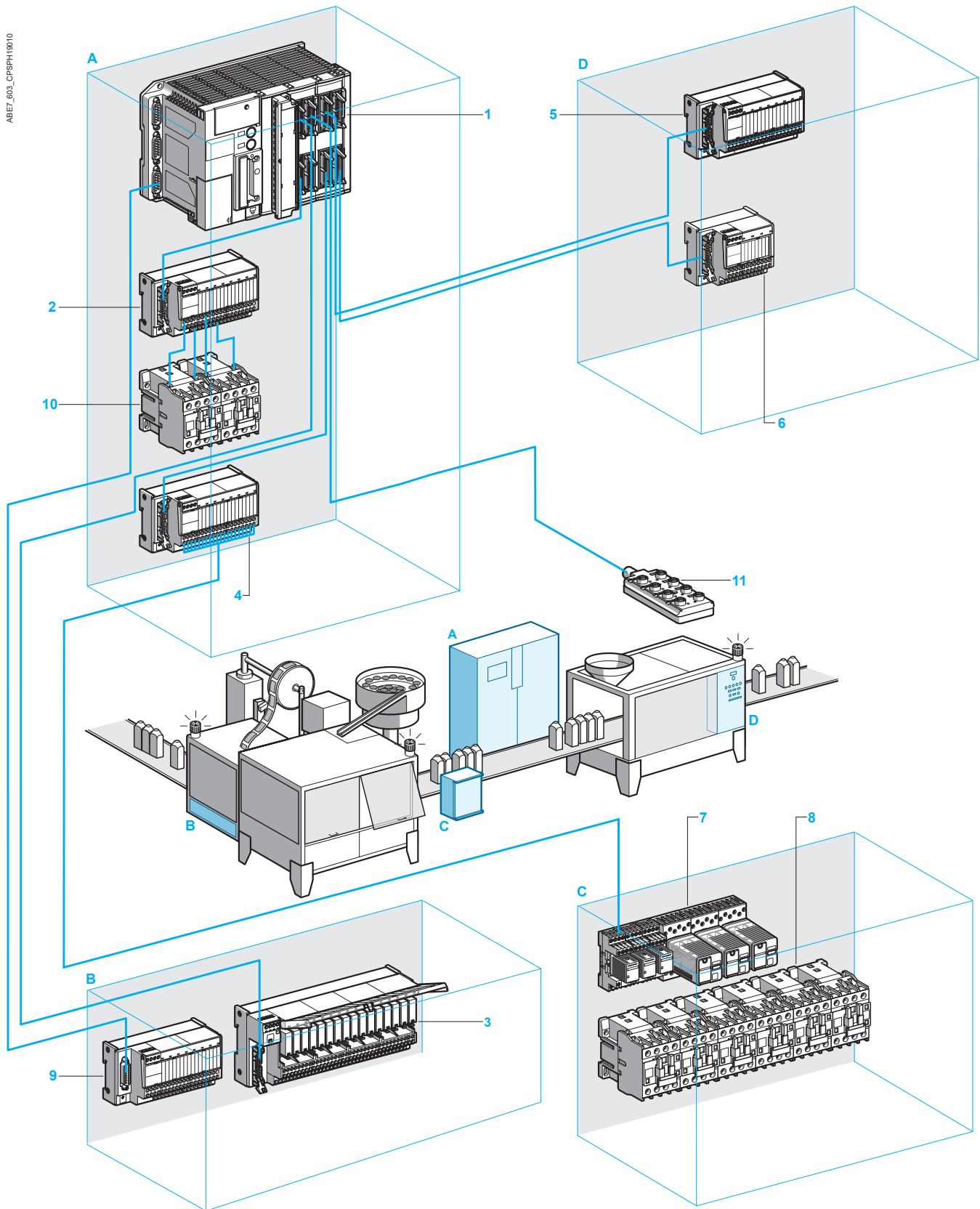
- > Find the right [Training](#) for your needs on our Global website
- > Locate the training center with the selector tool, using this [link](#)



General content

Telefast Pre-wired System

- **Modicon ABE7 connection sub-bases (IP 20) for**
 - > Modicon M221 Book logic controllers,
 - > Modicon TM3 I/O expansion modules,
 - > Modicon X80 I/O expansion modules,
 - > Modicon Premium automation platforms,
 - > Modicon Quantum automation platforms,
 - > Modicon TSX Micro Compact/modular PLC,
 - > Modicon STB (Distributed I/O solution)
 - Presentation page 2
 - Selection guides of connection sub-bases:
 - Discrete inputs or outputs,
Outputs for solid state and/or electromechanical relays sub-bases page 10
 - Discrete outputs sub-bases page 12
 - Analog and application-specific sub-bases page 14
 - References
 - Passive connection sub-bases for discrete signals page 16
 - Adapter sub-bases with fixed relays and removable terminal blocks ... page 17
 - Adapter sub-bases with plug-in relays page 18
 - Connection sub-bases for counter and analog channels page 19
 - Cordsets for connection page 20
 - Cabled connectors for Modicon Quantum I/O modules page 21
 - Accessories page 22
 - Plug-in solid state/electromechanical relays page 23
 - Combinations
 - sub-bases for Modicon M221 logic controllers
and Modicon TM3 modules page 24
 - sub-bases for Modicon X80 I/O modules page 26
 - sub-bases for Modicon Premium platform page 30
 - sub-bases for Modicon Quantum platform page 34
 - sub-bases for TSX Micro PLC page 36
 - sub-bases for Modicon STB I/O modules page 38
 - **Modicon ABE9 IP 67 passive splitter boxes (IP 67) (1)**
 - Selection guide page 40
 - Presentation page 42
 - Description page 42
 - References page 43
 - **Index**
 - Product reference index page 44
- (1) This offer applies only to Service. For any availability requests, please contact the Maintenance, Repairs, and Operations department.*



ABE7_603_CFSPPH19010

General presentation

Telefast Pre-wired system is a set of products for rapid connection of I/O modules (24 V $\overline{\text{---}}$ discrete, analog, and counter) to operative parts. It acts as a substitute for screw terminal blocks, remotely locating and partly eliminating the single-wire connection.

The Telefast system only connects to channels that have HE 10 and SUB-D connectors or to standard terminal blocks with a cabled connector. It consists of connecting cables and interface sub-bases.

The relay and connection functions, with or without polarity distribution, considerably reduce wiring time and eliminate the risk of error.

Connections between the PLC and the operative part

Connection between the PLC and Telefast sub-bases

Telefast sub-bases connect directly via cables to all discrete I/O modules equipped with HE 10 connectors **1**.

I/O modules not equipped with HE 10 connectors are connected to Telefast sub-bases by means of a cabled connector, which consists of a cable with conductors (AWG 22/0.34 mm² c.s.a.) connected to the standard terminal block at one end and to the HE 10 connectors at the other. These cabled connectors are available in 3 m (9.84 ft) lengths.

Connection between Telefast sub-bases and the operative part

The Telefast range is suitable for several types of connection found in control system devices.

■ Connection of I/O located in the PLC cabinet **A** or nearby **B**

Some sub-bases **2** enable two wires (signal and common) or three wires (signal, 24 V, 0 V) to be connected directly from sensors or preactuators **10** when these are installed in the same enclosure or very close by. They effectively eliminate all intermediate terminal blocks.

Other versions offer the possibility of adapting the voltage or current via plug-in relay sub-bases **3**, or of connecting analog signals **9**.

In cases where size is of prime importance **D**, fixed relay sub-bases **ABE7R16S111 5** (125 mm/4.92 in. long) and passive sub-bases **ABE7H16R50 6** (84 mm/3.31 in. long) reduce the required surface area by about 50% compared with standard products.

■ Connection of I/O located outside the PLC cabinet **C**

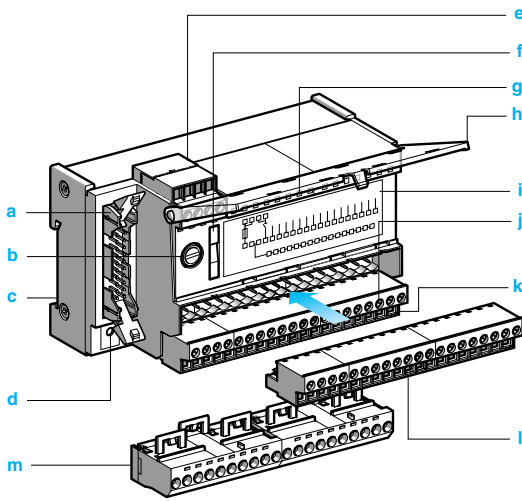
These sub-bases **4** fulfill the same function as traditional terminal blocks and connect connector leads from sensors or preactuators **7, 8**.

■ IP67 dust and damp-proof connections for enclosures and cabinets

8-channel versions offer, in addition, the possibility of directly connecting Modicon **ABE9** dust and damp proof splitter boxes (see page 42) **11** for 8 sensors.

Description of a Telefast® connection sub-base

All connection sub-bases in the Telefast family have a standardized design and offer the common functions described below. Some of these functions are **optional***.



- a 20-way HE10 connector
- b 24 V \sim power supply circuit fuse
- c DIN rail mounting
- d 24 V \sim display LED
- e 24 V \sim power supply terminal block (1)
- f Blade type isolator on 0 V \sim
- g Channel indication LED*
- h User label-holder/cover
- i Wiring diagram
- j Test point test for \varnothing 2.3 mm (0.09 in.) plug
- k Upper terminal block (1)
- l Lower terminal block (1), offset by $\frac{1}{2}$ step*
- m Additional snap-on terminal block equipped with 20 screw or spring terminals*

(1) Removable screw or spring type, according to reference, at 5.08 mm (0.2 in.) intervals.

Passive connection sub-bases

Designed to simplify I/O connection to a PLC within a control panel, the range of passive sub-bases has the same functions as traditional terminal blocks to which they add, depending on the models: compact size, connection of proximity sensor commons (3-wire and type 2), LED indication, protected and isolated channels. For high sales volume products, screw or spring connections are available (references ending with E).

Terminal block sub-bases

ABE7H16R11, ABE7H16R10: These products can be used to connect inputs or outputs. The commons are made on the device and brought into the sub-base by a single wire. The output terminals are on a single row. The signal state for each channel can be indicated via an LED (**R11**) or not (**R10**). An ABE7BV20 terminal block can be added.

ABE7H20E000, ABE7H20E100, ABE7H20E200: These **economy** products are supplied with a direct connection cable for TSX Micro, Premium, or other PLCs using splitter sub-bases (**H20E**). The cable is available in various lengths. The output terminals are on 2 rows.

Compact sub-bases

ABE7H16R50: These products fulfill the same functions as the sub-bases above but they are almost half the size. The output terminals are on 2 rows.

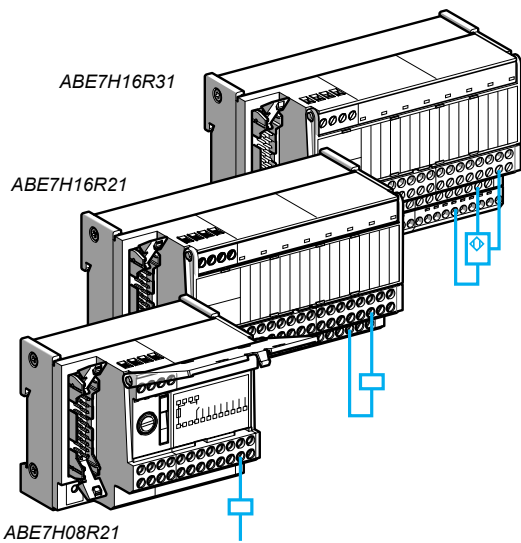
ABE7H16C10 and ABE7H16C11: These are **miniature** products. The signal state for each channel can be indicated via an LED (**C11**) or not (**C10**). The output terminals are on a single row. An ABE7BV20 terminal block can be added.

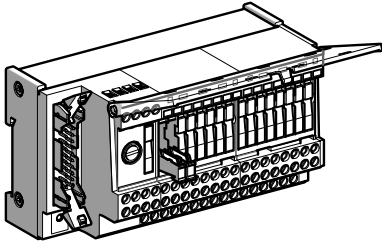
Universal sub-bases

ABE7H08R21 and ABE7H16R20: These sub-bases are used to connect I/O and all the commons.

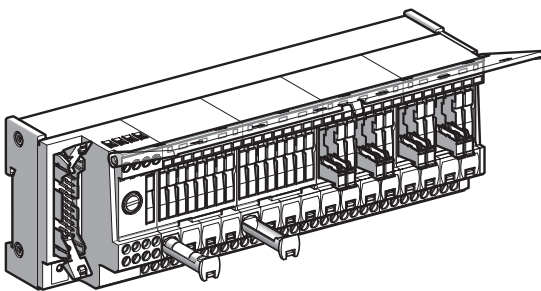
The potential (0 V or 24 V \sim), distributed over the row of screw terminals that allow the commons to be connected, is selected via a jumper. Both wires from the sensor or actuator can be connected to the sub-base. The output terminals are on 2 rows. The signal state for each channel can be indicated via an LED (**R21**) or not (**R20**).

ABE7H16C21: This is a **miniature** product. The signal state for each channel can be indicated via an LED.

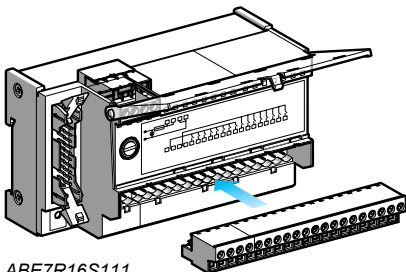




ABE7H16S21



ABE7H16S43



ABE7R16S111

Passive connection sub-bases (continued)

Sub-bases for 2-wire sensors

ABE7H16R23: This product is identical to the **ABE7H16R21** sub-base but, in addition, enables connection of 2-wire type 2 sensors on TSX Micro and Premium PLCs, and numerical controllers (NUM). The output terminals are on 2 rows.

Sub-bases for 3-wire sensors

ABE7H16R31: The 24 V and 0 V \bar{c} signals are brought into the sub-base for each channel. The output terminals are on 3 rows. This function can also be achieved by adding an **ABE7BV20** to **ABE7H16R21** and **ABE7H16R20** sub-bases. The signal state for each channel can be indicated via an LED.

ABE7H16C31: These are **miniature** products. They also enable connection of inputs equipped with 3-wire proximity sensors. The output terminals are on 3 rows.

Sub-base with isolator for each channel

ABE7H16S21: This product has the same function as the **ABE7H16R21** universal sub-base. It also has a blade isolator for each channel.

Sub-bases with isolator and protection for each channel

ABE7H16S43: These products are used exclusively for connecting 24 V \bar{c} **inputs**. Both wires are brought to the screw terminals on a single row. Each channel has 2 blade isolators, attached together, to isolate the signal and its 24 V \bar{c} power supply. The 24 V \bar{c} power supply to each channel is protected by a 5 x 20 fuse. A red LED indicates if the fuse has blown.

ABE7H16F43: These products are designed for connecting 24 V \bar{c} **outputs**. Both wires are brought to the screw terminals on a single row. Each channel has 2 blade isolators, attached together, to isolate the signal and its 0 V common.

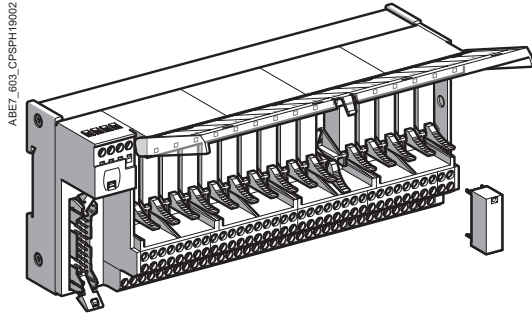
Electromechanical relay output sub-bases

Relay output sub-bases are designed to adapt both current and voltage signals. They also have the following functions, depending on the model: various contact combinations (1 NO, 1 C/O, 2 C/O), common potentials, channel protection by 5 x 20 fuse. There are 3 ranges of sub-bases: fixed relay, plug-in relay, and high-performance. For high sales volume products, screw or spring connections are available (references ending with E).

Sub-bases with fixed relays and removable terminal blocks

ABE7R08S210, **ABE7R16S210**, and **ABE7R16S212**: These products are equipped with a fixed relay with integral NO contact, 10 mm (0.394 in.) wide. Their 5 A Ith characteristic must be derated according to the duty cycles used and the number of operations required. They are available in 8- and 16-channel module formats. All the terminal blocks are removable.

ABE7R08S111 and **ABE7R16S111:** Almost 50% smaller than the standard sub-bases, these products have a fixed relay with integral NO contact, 5 mm (0.197 in.) wide. Their 2 A Ith characteristic must be derated according to the duty cycles used and the number of operations required. They are available in 8- and 16-channel module formats. All the terminal blocks are removable.



ABE7R16T2●●

Electromechanical relay output sub-bases (continued)

Plug-in relay sub-bases

ABE7P16T210, ABE7P16T230, ABE7P16T214, ABE7P16T215, ABE7R16T210, ABE7R16T212, and ABE7R16T230: These products may or may not be equipped with plug-in relays, with integral NO or C/O contact, 10 mm (0.394 in.) wide. Their 5 A Ith characteristic must be derated according to the duty cycles used and the number of operations required. They are available as 16-channel modules only.

It is possible to combine **ABR7S21** and **ABR7S23** electromechanical relays and **ABS7SC2E** and **ABS7SA2M** solid state relays on the same sub-base. Some sub-bases, not equipped with relays, are offered with 5 x 20 fuse protection for each channel.

ABE7P16T111, ABE7R16T111, and ABE7R16M111: These **miniature** products use plug-in relays, 5 mm (0.197 in.) wide, with integral NO contact, rated up to 5 A. products are pre-equipped with relays (**R**) or not (**P**). They can accept both electromechanical and solid state relays.

The **ABE7R16M111** sub-base offers two connection methods, which make it possible to connect both inputs and outputs and obtain 8 inputs (passive connection) and 8 outputs (active relay connection). The signal state for each channel can be indicated via an LED. The terminals are on one row and the commons are brought in in groups of 4. The sub-base is supplied with a relay extractor; this accessory is also available as a spare part.

High-performance sub-bases for plug-in relays

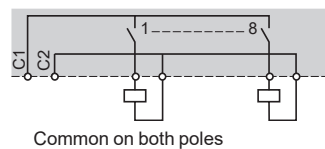
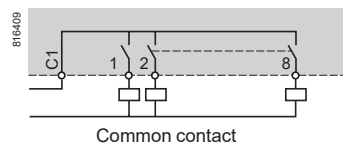
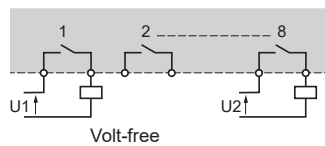
ABE7P16T330, ABE7P16T334, ABE7P16T318, ABE7R16T330, and ABE7R16T370: These products may or may not be equipped with plug-in relays, with integral 1 C/O or 2 C/O contacts, 12 mm (0.472 in.) wide. Their 8 A Ith characteristic must be derated according to the duty cycles used and the number of operations required.

The relays are equipped with reinforced Faston type clips for easy attachment.

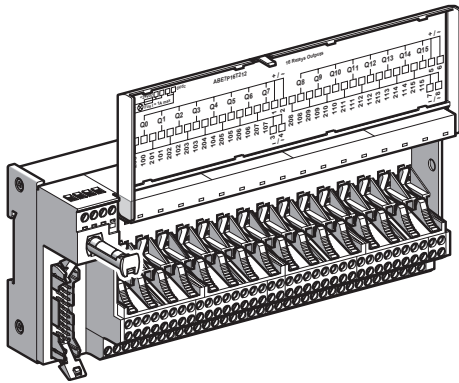
They are available in 8- and 16-channel module formats. It is possible to combine **ABR7S33** electromechanical relays, **ABS7SC3E** solid state relays **ABS7SA3M**, and the **ABE7ACC21** continuity block on the same sub-base. Some sub-bases, not equipped with relays, are offered with 5 x 20 fuse protection and isolation for each channel.

Connections

These relay sub-bases can be connected according to three possible schemes: volt-free, contact common, and common on both poles.

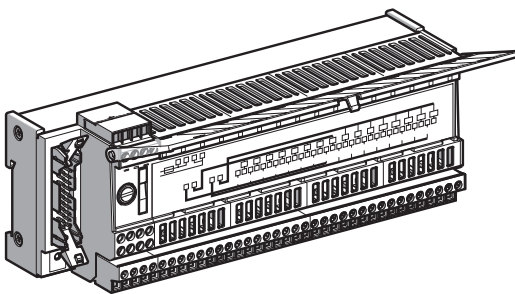


ABE7_603_CPSPH19008



ABE7P16T215

ABE7_603_CPSPH19008



ABE7S16E2B1

Solid state input or output sub-bases

Solid state input or output sub-bases are designed to adapt both current and voltage signals. They can be used to interface either inputs or outputs. Their technology enables high-speed signal switching, while maintaining a high level of electrical durability. For high sales volume products, screw or spring connections are available (references ending with E).

Input adapter sub-bases

ABE7S16E2B1, ABE7S16E2E0, ABE7S16E2F0, and ABE7S16E2M0 sub-bases equipped with solid state channels: These sub-bases enable sensors with different voltages to be connected (24 V $\overline{\text{DC}}$ to 230 V \sim depending on the reference). These products provide electrical isolation for the various power supply inputs. They are available as 16-channel modules only and the terminal blocks are removable.

ABE7P16F310 and ABE7P16F312 sub-bases for plug-in solid state relays: These sub-bases enable sensors with different voltages to be connected (24 V $\overline{\text{DC}}$ to 230 V \sim), either on each channel or on each group of 8 channels.

They are available as 16-channel modules only.

The solid state relays are available separately. It is also possible to equip the sub-bases with electromechanical relays (please contact our [Customer Care Center](#)).

Output adapter sub-bases

ABE7S16S2B0 and ABE7S16S1B2: These sub-bases enable actuators to be connected at 24 V $\overline{\text{DC}}$. The outputs are not isolated. The output current is either 0.5 or 2 A per channel depending on the products.

The occurrence of overloads or short-circuits on the outputs can be transmitted to the PLC to be managed by program. These "fault signal" functions can only be used with TSX Micro and Premium PLCs, or with any other PLCs that have protected outputs.

They are available in 8- and 16-channel module formats, and the terminal blocks are removable.

Plug-in solid state relays

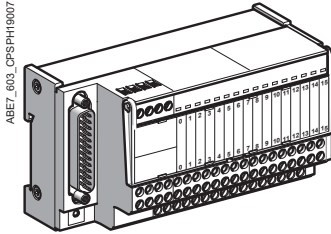
ABS7S plug-in relays are not available mounted directly on the sub-bases. They have to be ordered separately.

These relays are available for two power levels:

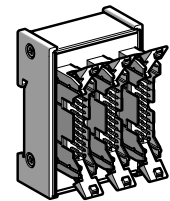
5 V $\overline{\text{DC}}$ to 240 V \sim /0.5 A, 10 mm (0.394 in.) wide. These are for mounting on **ABE7P16T210, BE7P16T230, ABE7P16T214, and ABE7P16T215 sub-bases**. 5 V $\overline{\text{DC}}$ to 240 V \sim /1.5 and 2 A, 12 mm (0.472 in.) wide. These are for mounting on **ABE7P16T330, ABE7P16T334, and ABE7P16T318 sub-bases**.

It is possible to combine electromechanical relays, solid state relays, and continuity blocks on the same sub-base.

They are available as 16-channel modules only.



ABE7CPA02



ABE7ACC02

Analog sub-bases and special functions

Analog signals are connected on the following products:

- **ABE7CPA01** sub-base for counter modules in the TSX Micro and Premium ranges. This also communicates with the Altivar 18 variable speed drive.
- **ABE7CPA02** sub-base for connection and distribution of 8 channels over screw terminals while maintaining shielding continuity.
- **ABE7CPA21** sub-base with identical functions to the previous sub-base for the 4 analog output channels.
- **ABE7CPA03** sub-base, which can also supply 2 or 4-wire sensors, channel by channel, with 24 V $\overline{\text{DC}}$ protected voltage and current limiting at 25 mA. It also ensures continuity of the current loops when the 25-way SUB-D connector is unplugged.
- **ABE7CPA31** sub-base for distribution and isolation of the 24 V $\overline{\text{DC}}$ power supply required for the 8 analog input channels while maintaining isolation between channels of the TSXAEY810 module. All channels are self-limited to 25 mA.

Accessories for connection sub-bases

The Modicon Telefast pre-wired system offers a range of accessories to simplify the installation of equipment and to enable full use of all features offered by the connection sub-bases.

Cable connections to the PLC

Cables

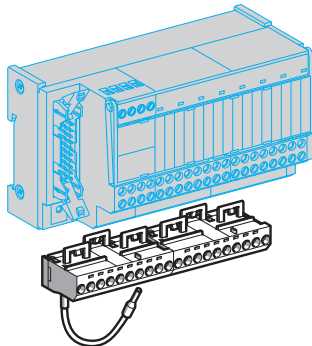
- Only **ABFH20H100** and **ABFH20H200** cables, made from rolled ribbon cable and HE 10 insulation piercing connectors, are truly universal. Owing to their small size, they can be connected to any I/O modules or terminal blocks equipped with 20-way HE 10 connectors. They are available in lengths of 0.5 to 5 m (1.64 to 16.4 ft), but the user can create custom cables up to a maximum length of 30 m (98.43 ft) using additional cable and HE 10 connectors.
- **TSXCDP053**, **TSXCDP103**, **TSXCDP203**, and **TSXCDP303** molded cables are only used with the TSX Micro and Premium ranges. They are multicore cables and have a high quality finish.

Splitter sub-bases

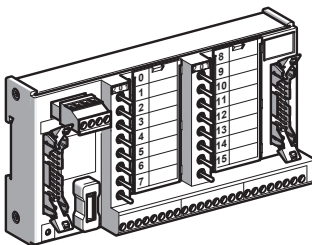
When module configuration and signal distribution are not compatible, the Telefast system can use **ABE7ACC02**, **ABE7ACC10**, **ABE7ACC11**, and **ABE7ACC21** splitter sub-bases:

- 16 channels (2 x 8) for all 16-channel outputs
- 24 channels (3 x 8) for DST2472 modules
- 32 channels (2 x 16) for NUM inputs
- 24 channels (3 x 8) for NUM outputs

Other sub-bases enable I/O redundancy on 2 input modules in parallel (**ABE7ACC11**) or on 2 output modules in parallel (**ABE7ACC10**).



ABE7BV20



ABE7TES160

Accessories for connection sub-bases (continued)

Cabling accessories

Cable gland assembly

Using the cable gland assembly enables 3 cables to run outside the enclosure without the addition of a series connection.

ABE7BV10 and ABE7BV20 add-on terminal blocks

With 8 and 16 channels, these products give wider connection options: common, shielding, etc.

Other accessories

Plug-in continuity blocks

Available in 10 and 12 mm (0.39 and 0.47 in.) widths, the blocks are mounted on ABE7P16T111, ABE7P16T210, ABE7P16T230, ABE7P16T214, ABE7P16T215, ABE7P16T330, ABE7P16T334, and ABE7P16T318 relay sub-bases in place of ABR7 and ABS7 relays. They make use of the sub-base functions to connect the channel without the need to adapt the channel using a relay.

ABE7TES160 simulator sub-base

This can be used to force or inhibit the discrete I/O.

5 x 20 fuses

References for all fuses can be found under accessories.

Label marking software

This produces finished labels for channels, simplifying installation and reducing the risk of error during maintenance by marking the labels according to the sub-base mounting. The program runs under Windows.

Sub-base/plug-in output relay combinations

Relays for ABE7●16T●● sub-bases						
Relay	Relay width 10 mm (0.39 in.)				Relay width 5 mm (0.2 in.)	
	ABR7S21	ABR7S23	ABS7SA2M	ABS7SC2E	ABR7S11	ABS7SC1B
Function	Relay 1 NO	Relay 1 C/O	Output 230 V ~ - 0.5A	Output 48 V --- - 0.5A	Relay 1 NO	Output 24 V --- - 2A
Sub-bases/modules						
ABE7P16T210, ABE7R16T210						
ABE7P16T111, ABE7R16T111, ABE7R16M111						
ABE7R16T212						
ABE7P16T214						
ABE7P16T215						
ABE7R16T230						
12.5 mm width relay for ABE7●16T3●● sub-bases						
Relay	ABR7S33	ABS7SA3M	ABS7SC3E	ABS7SC3BA	ABE7ACC21 (1)	
	Relay 1 C/O	Output 230 V ~ - 1.5A	Output 48 V --- - 1.5A	Output 24 V --- - 2A Protected	Continuity 0.5 A	
Sub-bases/modules						
ABE7P16T318						
ABE7P16T330, ABE7R16T330						
ABE7P16T334						
ABE7R16T370						


Compatible

(1) Product mounted on ABE7P16F310/ABE7P16F312 plug-in input sub-bases

Telefast Pre-wired System

Modicon ABE7 connection sub-bases



Discrete input and/or output sub-bases - IP20

Applications	Discrete outputs				Discrete outputs				Discrete inputs or outputs					
	Optimum	Universal	Optimum	Universal	Universal	Universal	Universal	Universal	Universal	Universal	Universal	Universal		
Compatibility <input type="checkbox"/> Direct	<ul style="list-style-type: none"> Modicon M221 Book logic controllers (see page 24) Modicon TM3 I/O expansion modules (see page 24) Modicon X80 I/O modules (see page 26) Modicon Premium automation platforms (see page 30) Modicon TSX Micro compact/modular PLCs (see page 36) Modicon STB (distributed I/O solution) (see page 38) 				<ul style="list-style-type: none"> Modicon M221 Book logic controllers (see page 24) Modicon TM3 I/O expansion modules (see page 24) Modicon X80 I/O modules (see page 26) Modicon Premium automation platforms (see page 30) Modicon TSX Micro compact/modular PLCs (see page 36) Modicon STB (distributed I/O solution) (see page 38) 									
<input type="checkbox"/> Indirect	<ul style="list-style-type: none"> Via Modicon TM3 I/O expansion modules: <ul style="list-style-type: none"> Modicon M241 logic controllers Modicon M251 logic controllers Via Modicon X80 I/O modules: <ul style="list-style-type: none"> Modicon 340 automation platforms Modicon 580 automation platforms Modicon Quantum automation platforms 				<ul style="list-style-type: none"> Via Modicon TM3 I/O expansion modules: <ul style="list-style-type: none"> Modicon M241 logic controllers Modicon M251 logic controllers Via Modicon X80 I/O modules: <ul style="list-style-type: none"> Modicon 340 automation platforms Modicon 580 automation platforms Modicon Quantum automation platforms 									
														
Relay sub-base	Electromechanical, fixed		Electromechanical or solid state		Electromechanical, plug-in		Solid state, fixed		–		Solid state, plug-in			
Equipped with relays	Yes		Yes	No	No	Yes	Yes	–	–	–	Yes	No		
Control voltage	24 V $\overline{\text{---}}$				24 V $\overline{\text{---}}$				–		From 24 V $\overline{\text{---}}$ to 230 V \sim	From 5 V TTL to 230 V \sim		
Output voltage	5 V...30 V $\overline{\text{---}}$ 230 V \sim	5 V...48 V $\overline{\text{---}}$ 230 V \sim	24 V $\overline{\text{---}}$ (solid state) 5 V...24 V $\overline{\text{---}}$, 230 V \sim (electromechanical)		5 V...150 V $\overline{\text{---}}$ 230 V \sim	5 V...150 V $\overline{\text{---}}$ 230 V \sim		24 V $\overline{\text{---}}$						
Output current per channel	2 A (th)	5 A (th)	2 A (solid state) 6 A (electromechanical)		0.5 to 10 A (depending on relay)	5 A (th)	8 A (th)	0.5 to 2 A	125 mA	0.5 A	125 mA	12 mA		
Modularity	8-16 channels		16 channels		8 or 16 channels		16 channels							
No. of terminals per channel	1	2	1	2 to 3	2 to 3	2 to 6	2	3	2					
Type of connection terminals	1 NO contact	1 NO contact and common	1 NO contact		Signal, polarities		1 C/O contact or 1 NO contact and common	1 C/O contact or 2 NO contacts and common	Signal and 0 V		24 V and 0 V $\overline{\text{---}}$ signal	Signal can be isolated, protected common	Signal	Signal and common
Connectors	20-way HE 10 connector				20-way HE 10 connector									
Terminal block	Removable		Yes		Yes		No		No		Yes		No	
	Terminal type		Screw or spring		Screw		Screw		Screw or spring		Screw		Screw or spring	
Additional or optional function	Volt-free or common per group of 8 channels		Miniature sub-bases Common per group of 4 channels		Isolator and fuse		Volt-free or common per group of: 8 channels 4 channels		Fault signal		Isolator and fuse (indicator)		3-wire proximity sensor	
Type of device	ABE7R08S111 ABE7R16S111	ABE7R08S210 ABE7R16S210 ABE7R16S212	ABE7R16T111	ABE7P16T111	ABE7P16T210 ABE7P16T230 ABE7P16T214 ABE7P16T215 ABE7P16T330 ABE7P16T334 ABE7P16T318	ABE7R16T210 ABE7R16T212 ABE7R16T230	ABE7R16T330 ABE7R16T370	ABE7S16S2B0 ABE7S16S1B2	ABE7H16F43	ABE7H16R31	ABE7H16S43	ABE7S16E2E1 ABE7S16E2E0 ABE7S16E2F0 ABE7S16E2M0	ABE7P16F310 ABE7P16F312	
Page	17		18		18		17		16		17		18	

Telefast Pre-wired System

Modicon ABE7 connection sub-bases

Analog and application-specific sub-bases - IP20

Applications	Analog signals and special functions				Analog signals and special functions		
Compatibility	Modicon TSX Micro: - TSX3722 - TSXCTZ●A	Modicon Premium: - TSXCTY●A - TSXCAY●1	Modicon Premium: - TSXASY800 - TSXAEY1600 - TSXA●Y800 Modicon X80 I/O platforms: - BMXAMI0800 - BMXAMI0810 - BMXAMO0802 Modicon Quantum: - 140AVI03000 - 140ACI03000 - 140ACI04000 - 140ACO13000	Modicon Premium: - TSXASY410 - TSXAEY420 Modicon X80 I/O platforms: - BMXAMO0210 - BMXAMO0410 - BMEAHO0412 Modicon Quantum: - 140AVO02000 - 140ACO02000	Modicon X80 I/O platforms: - BMXAMI0410 - BMXAMI0410 - BMXART0414 - BMXART0814 Modicon Premium: - TSXAEY1614	Modicon Premium: - TSXAEY800 - TSXAEY1600 Modicon Quantum: - 140AVI03000 - 140ACI03000 - 140ACI04000	Modicon Premium: - TSXAEY810 Modicon X80 I/O platforms: - BMXAMI0800 - BMXAMI0810 - BMEAHI0812 (1) Modicon Quantum: - 140AVI03000 - 140ACI03000 - 140ACI04000
							
Type of signal	Counter inputs and analog I/O	Counter inputs Axis control Position control	Analog inputs Current/Voltage Pt 100	Analog inputs Current Voltage	Analog inputs	Analog inputs Current Voltage Pt 100	Isolated analog inputs
Functions	Passive connection, point-to-point with shield continuity				Direct connection of 4 thermocouples with cold junction compensation Provision and distribution of isolated power supplies	Distribution of sensor power supplies by limiter (25 mA)	Distribution of isolated sensor power supplies by converter
Modularity	1 counter channel or 8 analog inputs + 2 analog outputs		8 channels	4 channels	4 channels	8 channels	8 channels
Control voltage	24 V ~				-	24 V ~	
Output voltage	24 V ~				-	24 V ~	
Output current per channel	25 mA				-	25 mA	
No. of terminals per channel	2		2 or 4	2 or 4	2 or 4	2 or 4	
Type of connector	15-way SUB-D + 9-way SUB-D		25-way SUB-D		25-way SUB-D	25-way SUB-D	25-way SUB-D
Fuse terminal block	Removable No Screw		No Screw		No Screw	No Screw	No Screw or spring
Type of device	ABE7CPA01		ABE7CPA02	ABE7CPA21	ABE7CPA412 ABE7CPA410	ABE7CPA03	ABE7CPA31 ABE7CPA31E
Page	19					19	

(1) BMEAHI0812 is only supplied with ABE7CPA31.

Telefast Pre-wired System

Modicon ABE7 connection sub-bases

Passive connection sub-bases for discrete signals



ABE7H20E000



ABE7H20E100
ABE7H20E200



ABE7H34E100
ABE7H34E200



ABE7H08R21



ABE7H16R●●



ABE7H16S43



ABE7H16F43

Passive connection sub-bases for discrete signals

Optimum "Economy" sub-base								
Function	No. of channels	No. of terminals per channel	No. of terminals on row channel number	For PLCs	Length of PLC connection cable m/ft	Type of connection	Reference	Weight kg/lb
Input or output	16	1	2	<input type="checkbox"/> Modicon M221 <input type="checkbox"/> TSX Micro <input type="checkbox"/> Modicon Premium <input type="checkbox"/> Modicon X80 I/O modules <input type="checkbox"/> Modicon M340	–	Screw	ABE7H20E000	–

Kits (Optimum Economy sub-base + cordset)			
Kit contents	Compatibility	Reference	Weight kg/lb
1x 16-channel Economy sub-base (type ABE7H20E000) and 1 cordset (type ABFH20H100, length 1 m/3.28 ft)	<input type="checkbox"/> TSX Micro <input type="checkbox"/> Modicon Premium	ABE7H20E100	0.330 0.728
1x 16-channel Economy sub-base (type ABE7H20E000) and 1 cordset (type ABFH20H200, length 2 m/6.56 ft)	<input type="checkbox"/> TSX Micro <input type="checkbox"/> Modicon Premium	ABE7H20E200	0.410 0.904
2x 16-channel Economy sub-bases (type ABE7H20E000) and 1 Y-cordset (type ABFH34M100, length 1 m/3.28 ft)	<input type="checkbox"/> Modicon X80 I/O modules <input type="checkbox"/> Modicon M340	ABE7H34E100	0.582 1.283
2x 16-channel "Economy" sub-bases (type ABE7H20E000) and 1 Y-cordset (type ABFH34M200, length 2 m/6.56 ft)	<input type="checkbox"/> Modicon X80 I/O modules <input type="checkbox"/> Modicon M340	ABE7H34E200	0.725 1.598

Optimum "miniature" sub-bases										
Function	No. of channels	No. of terminals per channel	No. of terminals on row channel number	LED per channel	Polarity distribution	Type of connection	Reference	Weight kg/lb		
Input or output	16	1	1	No	No	Screw	ABE7H16C10	0.160 0.353		
				Yes	No	Screw	ABE7H16C11	0.160 0.353		
				2	2	Yes	0 or 24 V	Screw	ABE7H16C21	0.205 0.452
						Yes	0 or 24 V	Screw	ABE7H16C31	0.260 0.573

Universal sub-bases										
Function	No. of channels	No. of terminals per channel	No. of terminals on row channel number	LED per channel	Polarity distribution	Isolator (S) Fuse (F) per channel	Type of connection	Reference	Weight kg/lb	
Input or output	8	2	2	Yes	0 or 24 V	–	Screw	ABE7H08R21	0.218 0.481	
				No	No	–	Screw	ABE7H16R10	0.274 0.604	
	16	1	1	Yes	No	–	Screw	ABE7H16R11	0.274 0.604	
				No	No	–	Screw	ABE7H16R50	0.196 0.432	
	2	2	2	No	0 or 24 V	–	Screw	ABE7H16R20	0.300 0.661	
				Yes	0 or 24 V	–	Screw	ABE7H16R21	0.300 0.661	
				–	–	S	Screw	ABE7H16S21	0.375 0.827	
				Yes	0 or 24 V	–	Screw	ABE7H16R31	0.346 0.763	
	Type 2 input (1)	16	2	2	Yes	0 or 24 V	–	Screw	ABE7H16R23	0.320 0.705
	Input	16	2	1	Yes	24 V	S, F (2)	Screw	ABE7H16S43	0.640 1.411
Output	16	2	1	Yes	0 V	S, F (2)	Screw	ABE7H16F43	0.640 1.411	

(1) For TSX Micro, Modicon Premium.
 (2) With LED to indicate blown fuse.

Telefast Pre-wired System

Modicon ABE7 connection sub-bases

Adapter sub-bases with fixed relays

Adapter sub-bases with fixed relays and removable terminal blocks

Universal input sub-bases with solid state relays

Number of channels	Number of terminals per channel	Isolation of PLC/ Operative part	Voltage	Type of connection	Reference	Weight kg/lb
16	2	Yes	24 V $\overline{\text{---}}$	Screw	ABE7S16E2B1	0.370 0.816
			48 V $\overline{\text{---}}$	Screw	ABE7S16E2E1	0.370 0.816
			48 V \sim	Screw	ABE7S16E2E0	0.386 0.851
			110 V \sim	Screw	ABE7S16E2F0	0.397 0.875
			230 V \sim	Screw	ABE7S16E2M0	0.407 0.897



ABE7S16E2●●

Universal output sub-bases with solid state relays

Number of channels	Isolation of PLC/ Operative part	Output voltage	Output current	Fault detection signal (1)	Type of connection	Reference	Weight kg/lb
16	No	24 V $\overline{\text{---}}$	0.5 A	Yes (2)	Screw	ABE7S16S2B0	0.405 0.893
				No	Screw	ABE7S16S1B2	0.400 0.882



ABE7S16S●●

Optimum and Universal output sub-bases with electromechanical relays

Number of channels	Number of contacts	Output current	Polarity distribution/ operative part	Type of connection	Reference	Weight kg/lb
8	1 NO	2 A	Contact common per group of 4 channels	Screw	ABE7R08S111	0.252 0.556
	1 NO	5 A	Volt-free	Screw	ABE7R08S210	0.448 0.988
16	1 NO	2 A	Contact common per group of 8 channels	Screw	ABE7R16S111	0.405 0.893
	1 NO	5 A	Volt-free	Screw	ABE7R16S210	0.405 0.893
			Common per group of 8 channels on both poles	Screw	ABE7R16S212	0.400 0.882



ABE7R08S21●

(1) A fault on a sub-base output Qn will set PLC output Qn to safety mode, which will be detected by the PLC.

(2) Can only be used with modules with protected outputs.

Telefast Pre-wired System

Modicon ABE7 connection sub-bases

Adapter sub-bases with plug-in relays



ABE7P16F31●

Adapter sub-bases with plug-in relays (1)

Universal input sub-bases for solid state relays, supplied without relays

No. of channels	Number of terminals per channel	For relay type	Isolation of PLC/Operative part	Input connection	Type of connection	Reference	Weight kg/lb
16	2	ABS7E ABR7 ABS7S33E	Yes	Volt-free	Screw	ABE7P16F310	0.850 1.874
					Polarity distribution Screw	ABE7P16F312	0.850 1.874



ABE7R16M111

Optimum and Universal output sub-bases, supplied with electromechanical relays (2)

No. of channels	Relay width	Relay type supplied	Number and type of contacts	Polarity distribution/operative part	Reference	Weight kg/lb
16	5 mm 0.197 in.	ABR7S11	1 NO	Contact common per group of 4 channels	ABE7R16T111	0.600 1.323
				Contact common per group of 4 output channels + 2 common input terminals	ABE7R16M111 (3)	0.600 1.323
	10 mm 0.394 in.	ABR7S21	1 NO	Volt-free	ABE7R16T210	0.735 1.620
				Common on both poles (3)	ABE7R16T212	0.730 1.609
	12 mm 0.472 in.	ABR7S23	1 C/O	Volt-free	ABE7R16T230	0.775 1.709
				ABR7S33	1 C/O	Volt-free
	ABR7S37	2 C/O	Volt-free	ABE7R16T370	1.300 2.866	



ABE7R16T210



ABE7P16T111

Optimum and Universal output sub-bases for solid state relays and/or electromechanical relays (1)

No. of channels	Relay width	For relay type	Isolator per channel	Fuse per channel	Polarity distribution/operative part	Type of connection	Reference	Weight kg/lb		
16	5 mm 0.197 in.	ABR7S11 ABS7SC1B	No	No	Contact common per group of 4 channels	Screw	ABE7P16T111	0.550 1.213		
					Volt-free	Screw	ABE7P16T210 (4)	0.615 1.356		
	10 mm 0.394 in.	ABR7S2● ABS7SA2● ABS7SC2●	No	No	Volt-free	Screw	ABE7P16T230 (4)	0.655 1.444		
					Yes	Volt-free	Screw	ABE7P16T214	0.675 1.488	
	Yes	Common on both poles (5)	Screw	ABE7P16T215	0.670 1.477					
16	12 mm 0.472 in.	ABR7S33 ABS7A3● ABS7SC3●● ABE7ACC21	No	No	Volt-free	Screw	ABE7P16T330	0.900 1.984		
					Volt-free	Screw	ABE7P16T334	0.900 1.984		
					Yes	Yes	Common on both poles (5)	Screw	ABE7P16T318	1.000 2.205



ABE7P16●●●●

(1) Not equipped with relays.
 (2) The sub-bases are supplied as standard with electromechanical relays, all or some of which can be replaced by solid state relays of the same width (it is possible to combine these different technologies on a single sub-base).
 (3) Two connection methods are available, enabling inputs and outputs to be connected to the same sub-base at the same time.
 (4) For use with ABR7S21 relay for ABE7P16T210 sub-base and ABR7S23 relay for ABE7P16T230 sub-base.
 (5) Per group of 8 channels.

Telefast Pre-wired System

Modicon ABE7 connection sub-bases

Connection sub-bases for counter and analog channels



ABE7CPA01



ABE7CPA11



ABE7CPA21/410/412

Connection sub-bases for counter and analog channels						
Functions	For platforms	Compatible modules	Type of connection on Telefast end	Type of connection	Reference	Weight kg/lb
Counter and analog, axis control, position control	TSX Micro Modicon Premium	TSX3722 TSXCTZ●A TSXCTY●A TSXCAY●1	15-way SUB-D	Screw	ABE7CPA01	0.300 0.661
Distribution of 4 thermocouples	Modicon X80 I/O	BMXART0414 BMXART0814	25-way SUB-D	Screw	ABE7CPA412	0.180 0.397
Passive distribution of 8 analog I/O channels on screw terminals, with shield continuity	Modicon Premium	TSXASY800 TSXAEY1600 TSXA●Y800	25-way SUB-D	Screw	ABE7CPA02	0.290 0.639
	Modicon X80 I/O	BMXAMI0800 BMXAMI0810 BMEAHI0812 BMXAMO0802				
	Modicon Quantum	140AVI03000 140ACI03000 140ACI04000 140ACO13000				
Provision and distribution of protected isolated power supplies for 4 analog input channels	Modicon M340	BMXAMI0410	25-way SUB-D	Screw	ABE7CPA410	0.180 0.397
Distribution of 4 analog output channels		Modicon Premium TSXASY410 TSXAEY420	25-way SUB-D	Screw	ABE7CPA21	0.210 0.463
	Modicon X80 I/O	BMXAMO0210 BMXAMO0410 BMEAHO0412				
	Modicon Quantum	140AVO02000 140ACO02000				
Distribution and supply of 8 analog input channels (with limitation of each current loop)	Modicon Premium	TSXAEY800 TSXAEY1600	25-way SUB-D	Screw	ABE7CPA03	0.330 0.728
	Modicon Quantum	140AVI03000 140ACI03000 140ACI04000				
Distribution and supply of 8 analog input channels isolated from one another with 25 mA limitation per channel	Modicon Premium	TSXAEY810	25-way SUB-D	Screw	ABE7CPA31	0.410 0.904
	Modicon X80 I/O	BMXAMI0800 BMXAMI0810 BMEAHI0812 (1)				
	Modicon Quantum	140AVI03000 140ACI03000 140ACI04000				

(1) The BMEAHI0812 module is not compatible with the ABE7CPA31E connection sub-base.

Telefast Pre-wired System

Modicon ABE7 connection sub-bases

Cordsets



ABFH20H●●●

Cordsets for connection between TSX Micro, Modicon Premium, and sub-bases

Description	Compatibility	Cross-section Gauge	Connector type	Length m/ft	Reference	Weight kg/lb
Cordsets equipped with an HE10 (20-way) connector at each end	TSX Micro or Modicon Premium and ABE7H20E000 sub-base	AWG 28/0.08 mm ²	HE10 - HE10	1/3.281	ABFH20H100	–
				2/6.562	ABFH20H200	–
				3/9.843	ABFH20H301	–
				10/32.81	ABFH20H1000	–



ABFH34M●●00

Cordsets for connection between Modicon X80 and Modicon M340 I/O and sub-bases

Description	Compatibility	Cross-section Gauge	Connection type	Length m/ft	Reference	Weight kg/lb
Y-cordsets equipped with one 40-way FCN connector and two HE10 20-way connectors	Modicon X80 or Modicon M340 I/O modules and ABE7H20E000 sub-base	AWG 28/0.08 mm ²	FCN 40-way - 2x HE10	1 / 3.281	ABFH34M100	–
				2/6.562	ABFH34M200	–



ABFT20E●●●

Cordsets for connection between M221 controllers, Modicon TM3 expansion modules, and sub-bases

Description	Compatibility	Cross-section	Connection type	Length m/ft	Reference	Weight kg/lb
Cordsets for digital inputs	TM3DI16K, TM3DI32K, TM3DQ16TK, TM3DQ32TK, TM3DQ16UK, TM3DQ32UK	AWG 28/0.08 mm ²	HE10 - HE10	0.5 / 1.64	ABFT20E050	0.060 0.132
				1 / 3.281	ABFT20E100	0.080 0.176
				2/6.56	ABFT20E200	0.140 0.308
				–	–	–
Cordsets for digital outputs	TM221M32TK, TM221ME32TK, TM3DI16K, TM3DI32K	AWG 28/0.08 mm ²	HE10 - HE10	1 / 3.281	ABFTE20EP100	–
				2/6.562	ABFTE20EP200	–
				3/9.843	ABFTE20EP300	–
Cordsets for digital I/O	TM221M32TK, TM221ME32TK, TM3DQ16TK, TM3DQ32TK	AWG 28/0.08 mm ²	HE10 - HE10	1/3.28	ABFTE20SP100	–
				2/6.56	ABFTE20SP200	–
				3/9.843	ABFTE20SP300	–
Cordsets for digital I/O	TM221M32TK, TM221ME32TK, TM3DI16K, TM3DI32K, TM3DQ16TK, TM3DQ32TK	AWG 22/0.035 mm ²	HE10 - Flying leads	3/9.84	TWDFCW30K	0.405 0.893
				5/16.4	TWDFCW50K	0.670 1.477



ABFTE20●P●00

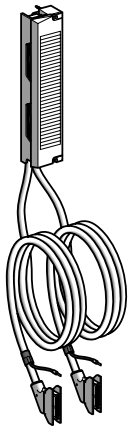


TWDFCW●0K

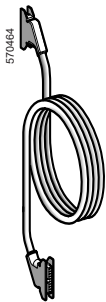
Telefast Pre-wired System

Modicon ABE7 connection sub-bases

Cabled connectors for Modicon Quantum I/O modules



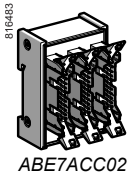
ABFM32H●●1



TSXCDP●03

Cabled connectors for Modicon Quantum I/O modules								
Type of signal	I/O modules	Connector type	Gauge AWG	Cross-section mm ²	Length m/ft	No. of channels	Reference	Weight kg/lb
Relay inputs and outputs	140DDI353	2 x 20-way HE 10	22	0.324	3/ 9.843	2 x 16	ABFM32H300	1.150
	140DDI853							2.535
	140DDO353							
0.5 A outputs	140DDO353	2 x 20-way HE 10 + external power supply	22	0.324	3/ 9.843	2 x 16	ABFM32H301	1.150 2.535
Inputs or outputs (96 channels)	140DDI36400	2 x 20-way HE 10	22	0.324	0.5/1.640	6 x 16	TSXCDP053	0.085 0.187
					140DDO36400			
					1/ 3.281	6 x 16	TSXCDP103	0.150 0.331
					2/ 6.562	6 x 16	TSXCDP203	0.280 0.617
					3/ 9.843	6 x 16	TSXCDP303	0.410 0.904
	5/ 16.404	6 x 16	TSXCDP503	0.670 1.477				
Analog inputs	140AVI03000 140ACI03000	1 x 25-way SUB-D	24	0.22	2/ 6.562	8	ABFM08S201	0.600 1.323

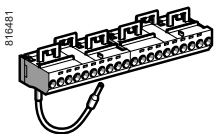
(1) The BMEAH10812 module is not compatible with the ABE7CPA31E connection sub-base.



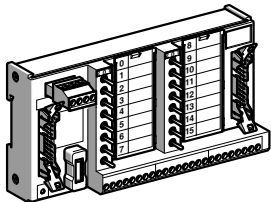
ABE7ACC02



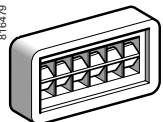
ABC6HE20F



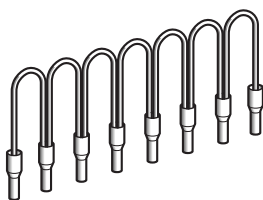
ABE7BV20



ABE7TES160



AR1SB3



ABEC08R...●●●

Accessories					
Description	No. of channels	Characteristics	Order in multiples of	Unit reference	Weight kg/lb
Splitter sub-base	16	16 as 2 x 8 channels	1	ABE7ACC02	0.075 0.165
HE10 connector	20	20 female channels	1	ABC6HE20F	0.075 0.165
Redundant output sub-base	16	16 as 2 x 16 channels	1	ABE7ACC10	0.075 0.165
Redundant input sub-base	16	16 as 2 x 16 channels	1	ABE7ACC11	0.075 0.165
Plug-in continuity blocks	–	Width 12 mm 0.472 in.	4	ABE7ACC21	0.010 0.022
Additional snap-on terminal blocks (shunted terminals)	8	10 screw terminals	5	ABE7BV10	0.030 0.066
	16	20 screw terminals	5	ABE7BV20	0.060 0.132
I/O simulator sub-base	16	For display, forcing, inhibition, continuity	1	ABE7TES160	0.010 0.022
Self-adhesive marker tag holder	–	For 6 characters	50	AR1SB3	0.010 0.022
Quick-blow fuses 5 x 20, 250 V, UL	–	0.125 A	10	ABE7FU012	0.010 0.022
	–	0.315 A	10	ABE7FU030	0.010 0.022
	–	0.5 A	10	ABE7FU050	0.010 0.022
	–	1 A	10	ABE7FU100	0.010 0.022
	–	2 A	10	ABE7FU200	0.010 0.022
	–	4 A	10	ABE7FU400	0.010 0.022
–	6.3 A	10	ABE7FU630	0.010 0.022	
Commoning link accessories					
Description	For common	Color	Distance between cable ends	Reference	Weight kg/lb
Commoning links Modularity 8 x 1 mm ²	~	Red	2 cm 0.787 in.	ABFC08R02R	0.010 0.022
	---	Blue	2 cm 0.787 in.	ABFC08R02B	0.010 0.022

Telefast Pre-wired System

Modicon ABE7 connection sub-bases

Plug-in solid state relays

Plug-in electromechanical relays



ABS7SC1B



ABS7SC2E



ABS7SA2M



ABS7EC3B2
ABS7EC3E2
ABS7EA3E5
ABS7EA3F5
ABS7EA3M5



ABS7SC3BA
ABS7SC3E



ABS7SA3M



ABR7S11
ABR7S21



ABR7S23
ABR7S33

Plug-in solid state relays								
Relay width	Functions	Input circuit		Output circuit		Unit reference Order in multiples of 4	Weight kg/lb	
		Current	Nominal voltage	Current	Nominal voltage (1)			
5 mm 0.197 in.	Output	---	24 V	2 A	24 V ---	ABS7SC1B	0.010 0.022	
10 mm 0.394 in.	Output	---	24 V	0.5 A	5...48 V ---	ABS7SC2E	0.016 0.035	
					24...240 V ~	ABS7SA2M	0.016 0.035	
12 mm 0.472 in.	Input	---	24 V	–	24 V ---	ABS7EA3B5	0.014 0.031	
			24 V Type 2	–	24 V ---	ABS7EC3B2	0.014 0.031	
			48 V Type 2	–	24 V ---	ABS7EC3E2	0.014 0.031	
			~ 50 Hz	48 V	–	24 V ---	ABS7EA3E5	0.014 0.031
			~ 60 Hz	110...130 V	–	24 V ---	ABS7EA3F5	0.014 0.031
Output	---	24 V		2 A Self-protected	24 V ---	ABS7SC3BA	0.016 0.035	
				1.5 A	5...48 V ---	ABS7SC3E	0.016 0.035	
				1.5 A	24...240 V ~	ABS7SA3M	0.016 0.035	

Plug-in electromechanical relays						
Relay width	Control voltage	Output current (1)	Number of contacts	Order in multiples of	Unit reference	Weight kg/lb
5 mm 0.197 in.	24 V ---	5 A (lth)	1 NO	4	ABR7S11	0.005 0.011
10 mm 0.394 in.	24 V ---	5 A (lth)	1 NO	4	ABR7S21	0.008 0.018
			1 C/O	4	ABR7S23	0.008 0.018
12 mm 0.472 in.	2 V ---	10 A (lth)	1 C/O	4	ABR7S33	0.017 0.037

Accessory for relays		
Description	Reference	Weight kg/lb
Extractor for 5 mm (0.197 in.) miniature relay	ABE7ACC12	0.010 0.022

(1) In DC mode (---), nominal voltage varies from 5 to 48 V. In AC mode (~), nominal voltage varies between 24 and 240 V.

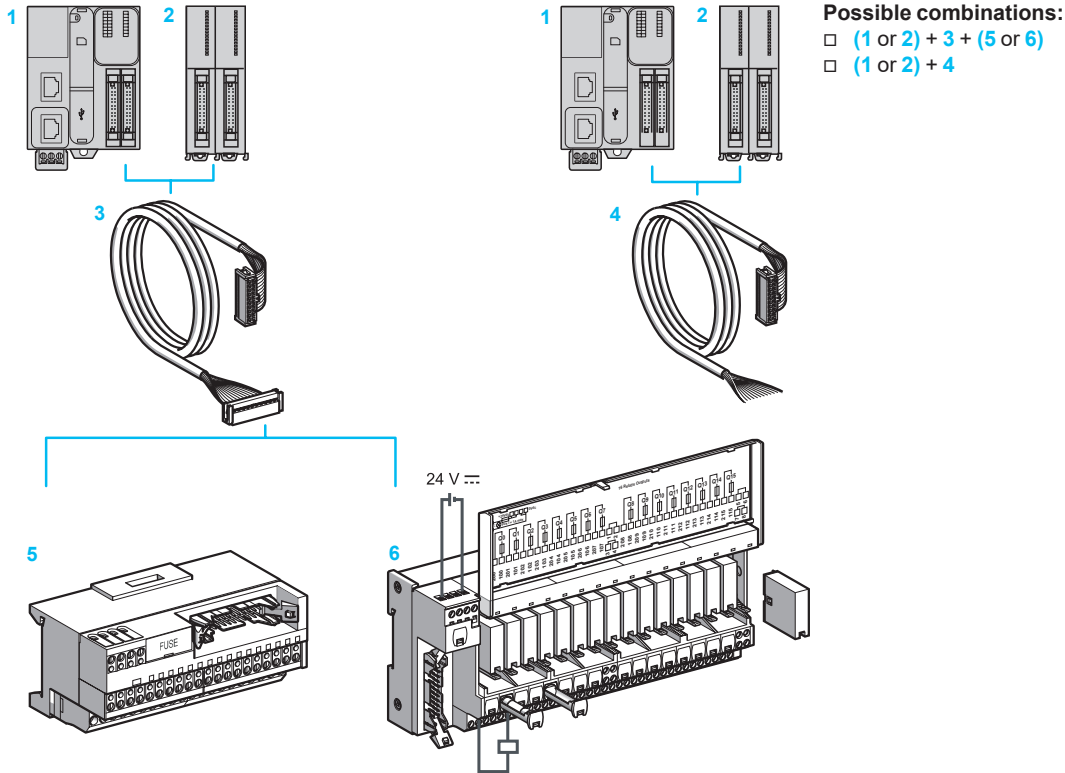
Telefast Pre-wired System

Modicon ABE7 connection sub-bases

Connection sub-bases for M221 Book logic controllers and Modicon TM3 expansion modules

Telefast pre-wired system with Modicon ABE7

For 32-channel Modicon M221 Book logic controller and Modicon TM3 digital I/O expansion modules



- 1 32-channel Modicon M221 Book logic controllers (TM221M32TK, TM221ME32TK), equipped with HE 10 connectors
- 2 Digital I/O modules (TM3D●●●K) with 16 or 32 I/O, equipped with HE10 connectors
- 3 **ABFTE20●●●** cordsets with one HE 10 connector at each end
- 4 **TWDFCW●●●** cordsets, equipped with an HE 10 connector at one end and flying leads at the other end for direct connections to sensors, preactuators and terminal blocks
- 5 Optimum "miniature" sub-bases
- 6 16-channel sub-base for expansion modules

Combinations

Combinations of Modicon ABE7 sub-bases with M221 Book logic controllers and Modicon TM3 expansion modules

Modicon Telefast sub-bases		Modicon M221 Book logic controllers		Modicon TM3 I/O expansion modules		
		TM221M32TK, TM221ME32TK		TM3DI16K, TM3DI32K	TM3DQ16TK, TM3DQ32TK	TM3DQ16UK, TM3DQ32UK
Type	Reference	Inputs	Outputs (Source)	Inputs	Outputs (Source)	Outputs (Sink)
Passive sub-base	ABE7H20E000					
	ABE7H16C10					
	ABE7H16C11					
	ABE7H16C21					
	ABE7H16C31					
Electromechanical relay output sub-bases	ABE7R16S111					
	ABE7R16T111					
Empty sub-base for solid state or electromechanical relay	ABE7P16T111					

Compatible with inputs. For use with cordsets ABFTE20EP100, ABFTE20EP200, and ABFTE20EP300 (1)

Compatible with outputs. For use with cordsets ABFTE20SP100, ABFTE20SP200, and ABFTE20SP300 (1)

Not compatible

(1) Available lengths: 1, 2, and 3 m (3.28, 6.56, and 9.84 ft)

Telefast Pre-wired System

Modicon ABE7 connection sub-bases

Connection sub-bases for M221 Book logic controllers and Modicon TM3 expansion modules

Combinations				
Combinations of Modicon ABE7 sub-bases with M221/M241/M251 logic controllers and Modicon TM3 expansion modules				
Modicon Telefast sub-bases		Connection via Modicon TM3 I/O expansion modules		
		TM3DI16K, TM3DI32K	TM3DQ16TK, TM3DQ32TK	TM3DQ16UK, TM3DQ32UK
Type	Reference	Inputs	Outputs (Source)	Outputs (Sink)
Passive sub-base	ABE7H16C10			
	ABE7H16C11			
	ABE7H16C21			
	ABE7H16C31			
	ABE7H16F43			
	ABE7H16R10			
	ABE7H16R11			
	ABE7H16R20			
	ABE7H16R21			
	ABE7H16R31			
	ABE7H16R50			
	ABE7H16S21			
	ABE7H16S43			
	ABE7H20E000			
Solid state relay input sub-base	ABE7P16F310			
	ABE7P16F312			
Output sub-base for solid state and/or electromechanical relays	ABE7P16T111			
	ABE7P16T210			
	ABE7P16T214			
	ABE7P16T215			
	ABE7P16T318			
	ABE7P16T330			
Electromechanical relay output sub-bases	ABE7R16S111			
	ABE7R16S210			
	ABE7R16S212			
	ABE7R16T111			
	ABE7R16T210			
	ABE7R16T212			
	ABE7R16T230			
	ABE7R16T330			
Solid state relay input sub-base	ABE7S16E2B1			
	ABE7S16E2E0			
	ABE7S16E2E1			
	ABE7S16E2F0			
	ABE7S16E2M0			
	ABE7S16S1B2			
	ABE7S16S2B0			

Compatible with inputs. For use with cordsets ABFTE20EP100, ABFTE20EP200, and ABFTE20EP300 (1)

Compatible with outputs. For use with cordsets ABFTE20SP100, ABFTE20SP200, and ABFTE20SP300 (1)

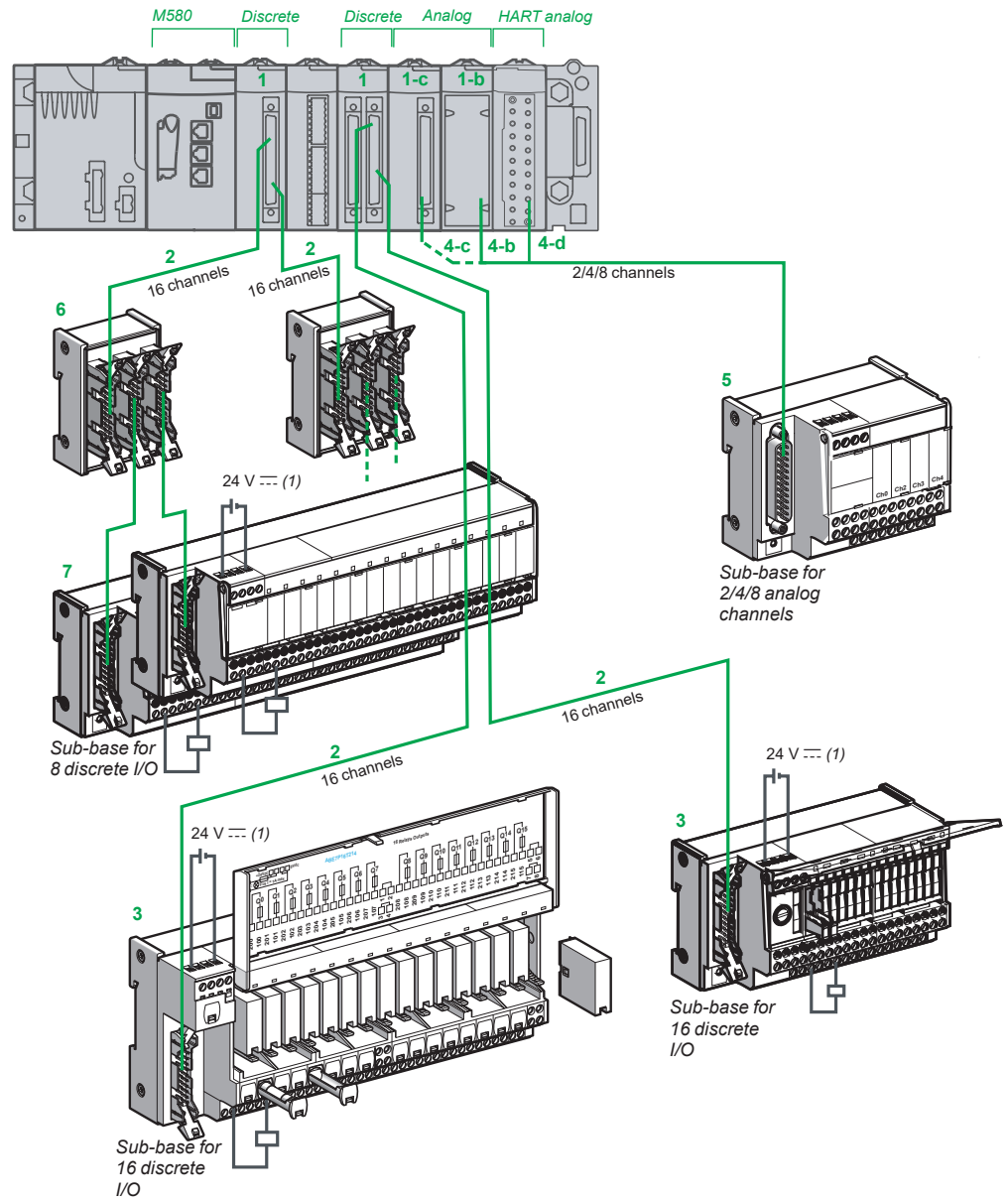
Not compatible

(1) Available lengths: 1, 2, and 3 m (3.28, 6.56, and 9.84 ft)

Telefast Pre-wired System

Modicon ABE7 connection sub-bases

Connection sub-bases for Modicon X80 I/O modules



(1) The 24 V $\overline{\text{---}}$ power supply is connected using Modicon Telefast ABE7 sub-bases only. The 0 V $\overline{\text{---}}$ connections must be equipotential.

Presentation

I/O modules on the Modicon X80 platform

- 1 Discrete input modules BMXDDI●●02K, discrete output modules BMXDDO●●02K, and discrete mixed I/O modules (BMXDDM3202K) equipped with one or two 40-way FCN connectors. The modularity of each module (●●) is 32 or 64 channels.
 - **1-b** Analog input or output modules:
 - Analog inputs: **BMXAMI0410** (4 channels), **BMXAMI0800** (4 channels), and **BMXAMI0810** (8 channels)
 - Analog outputs: **BMXAMO0210** (2 channels), **BMXAMO0410** (4 channels), and **BMXAMO0802** (8 channels)
 - **1-c** Analog input modules **BMXART0414** (4 channels) and **BMXART0814** (8 channels)
 - **1-d** HART analog I/O modules **BMEAH0812** (8 channels) and **BMEAH00412** (4 channels)
- 2 Two types of cordset are available depending on the type of discrete module connected to the sub-base (for combinations, see [page 28](#)). These cordsets are available in 0.5, 1, 2, 3, 5, or 10 m/1.64, 3.28, 6.56, 9.84, 16.4, and 32.81 ft lengths:
 - **BMXFCC●●●1** cordsets with 20-wire sheath (AWG22) equipped with one 40-way FCN connector on the module end and one HE10 molded connector on the Telefast sub-base end
 - **BMXFCC●●●3** cordsets with two 20-wire sheaths (AWG22) equipped with one common 40-way FCN connector on the module end and two HE10 molded connectors on the Telefast sub-base end
- 3 16 channel Modicon Telefast ABE7 Optimum or Universal passive connection sub-bases or adapter sub-bases
- 4 Four types of cordset are available depending on the type of analog module connected to the sub-base (for combinations, see [page 29](#))
 - **4-b** : Connection to analog module with 20-way or 28-way removable terminal block:
 - **BMXFCA●●●0** cordsets with a 20-way removable terminal block on the module end and a 25-way SUB-D connector on the Telefast sub-base end. Cordsets available in 1.5 or 3 m/4.92 or 9.84 ft lengths.
 - **BMXFCA●●●2** cordsets with a 20-way terminal block on the module end and a 25-way SUB-D connector on the Telefast sub-base end. Cordsets available in 1.5 or 3 m/4.92 or 9.84 ft lengths.
 - **BMXFCA●●●0** cordsets with a 28-way terminal block on the module end and a 25-way SUB-D connector on the Telefast sub-base end. Cordsets available in 1.5 or 3 m/4.92 or 9.84 ft lengths.
 - **4-c**: Connection to analog module with 40-way FCN connector:
 - **BMXFCA●●●2** cordsets with a 40-way FCN connector on the module end and a 25-way SUB-D connector on the Telefast sub-base end. Cordsets available in 1.5 or 3 m/4.92 or 9.84 ft lengths.
 - **4-d**: Connection to HART analog input module:
 - **BMXFCA1522/3022** cordsets with a 20-way removable terminal block at the module end and a 25-way SUB-D connector at the Telefast sub-base end. Cordsets available in 1.5 or 3 m/4.92 or 9.84 ft lengths. Connection to HART analog input module:
 - **BMXFCA●●●0** (see description in section [4-b](#))
- 5 Modicon Telefast ABE7CPA analog and application-specific connection sub-bases (for combinations, see [pages 29](#)):
 - **ABE7CPA410** allows connection on a screw terminal block of 4 current/voltage inputs, with provision and distribution of 4 isolated protected power supplies for the current loop inputs.
 - **ABE7CPA412** allows connection on a screw terminal block of 4 thermocouple inputs, with supply of cold-junction compensation for these inputs.
 - **ABE7CPA21** allows connection on a screw terminal block of 4 current/voltage outputs.
 - **ABE7CPA02** allows connection on a screw terminal block of 8 current/voltage I/O.
 - **ABE7CPA03** allows connection on a screw terminal block of 8 inputs, with provision and distribution of the power supply (with limitation of each current loop) for the current/voltage outputs of the **BMXAMO0210** analog module.
 - **ABE7CPA31** and **ABE7CPA31E** allow connection on a screw terminal block (ABE7CPA31) or a spring-type terminal block (ABE7CPA31E) of 8 inputs, with provision and distribution of the power supply (limited to 25 mA per input).
- 6 **ABE7ACC02 sub-base for splitting 16 into 2 x 8 channels**, allowing connection of 8 channels
- 7 8-channel Modicon Telefast ABE7 Optimum or Universal passive connection sub-bases or adapter sub-bases

Combinations of discrete inputs/outputs on the Modicon X80 platform with ABE7 sub-bases						
(Items 1...7), see Presentation on page 26		Discrete I/O modules for Modicon X80 platform				
		Reference for 24 V ~ discrete I/O modules (item 1)				
		Inputs		Outputs		
		2 x 16 I	4 x 16 I	2 x 16 Q	4 x 16 Q	I/O
		BMXDDI3202K	BMXDDI6402K	BMXDDO3202K	BMXDDO6402K	BMXDDM3202K
Required cordsets						
Preassembled cordsets (connectors at both ends)	BMXFCC●●1	Yes	Yes	Yes	Yes	No
	BMXFCC●●3 (item 2) (1)	Yes	Yes	Yes	Yes	Yes
	Quantities to be ordered	1	2	1	2	1
Passive connection sub-bases						
Optimum 16 channels (item 3)	ABE7H34E100, ABE7H34E200 "Economy" (2) ABE7H16C10, ABE7H16C11, ABE7H16C21, ABE7H16C31 "Miniature"					
Universal 8 channels (item 7)	ABE7H08R21	(3)	(3)	(3)	(3)	(3)
Universal 16 channels (item 3)	ABE7H16R10, ABE7H16R11					
	ABE7H16R50					
	ABE7H16R20, ABE7H16R21, ABE7H16S21, ABE7H16R23					
	ABE7H16S21					
	ABE7H16S31					
	ABE7H16R23					
	ABE7H16S43					
	ABE7H16F43					
Input adapter sub-bases with solid state relays						
Universal 16 channels (item 3)	ABE7S16E2B1, ABE7S16E2E1, ABE7S16E2E0, ABE7S16E2F0, ABE7S16E2M0 Fixed solid state relays, removable terminal blocks					
	ABE7P16F310, ABE7P16F312 Plug-in solid state relays					
Output adapter sub-bases with fixed relays, removable terminal blocks						
Optimum & Universal 8 channels (item 7)	ABE7R08S111, ABE7R08S210 Electromechanical relays			(3)	(3)	(3)
Optimum & Universal 16 channels (item 3)	ABE7S16S2B0, ABE7S16S1B2 Solid state relays					
	ABE7R16S111, ABE7R16S210, ABE7R16S212 Electromechanical relays					
Output adapter sub-bases with plug-in relays						
Optimum & Universal 16 channels (item 3)	ABE7R16T111, ABE7R16T210, ABE7R16T212, ABE7R16T230, ABE7R16T330, ABE7R16T370 Electromechanical relays					
	ABE7P16T111, ABE7P16T210, ABE7P16T230, ABE7P16T214, ABE7P16T215, ABE7P16T330, ABE7P16T334, ABE7P16T318 Solid state and/or electromechanical relays					
Sub-bases for analog I/O						
4 channels (item 5)	ABE7CPA410					
	ABE7CPA412					
2 channels (item 5)	ABE7CPA21					
8 channels (item 5)	ABE7CPA02					
	ABE7CPA03					
	ABE7CPA31, ABE7CPA31E					

Compatible
Not compatible

(1) References for cordsets: to be completed, please refer to our "Modicon X80 I/O Platform" offer for Modicon M340, Modicon M580, and Modicon Quantum.
 (2) ABE7H34E100 kit: ABE7H20E000 Optimum "Economy" sub-base + ABFH34M100 cordset (1 m/3.28 ft) included. ABE7H34E200 kit: ABE7H20E000 Optimum "Economy" sub-base + ABFH34M200 cordset (2 m/6.56 ft) included.
 (3) Using splitter sub-base 6 ABE7ACC02, which allows 16 channels to be split into 2 x 8 channels.

Combinations of analog inputs/outputs on the Modicon X80 platform with ABE7 sub-bases											
(Items 1...7), see Presentation on page 26		Analog I/O modules for Modicon X80 platform									
		Reference for analog I/O modules (items 1-b, 1-c, and 1-d)									
		Inputs						Outputs			
		4 I	4 I	2 x 4 I	8 I	8 I	8 I	2 Q	4 Q	8 Q	4 Q
		BMXAMI0410	BMXART0414	BMXART0814	BMXAMI0800	BMXAMI0810	BMEAH0812	BMXAMO0210	BMXAMO0410	BMXAMO0802	BMEAH00412
Required cordsets											
Preassembled cordsets (connectors at both ends)	BMXFCA●●0 (item 4-b) (1)	Yes	No	No	No	No	No	Yes	Yes	No	Yes
	BMXFCA●●2 (item 4-c) (1)	No	Yes	Yes	No	No	No	No	No	No	No
	BMXFTA●●0 (item 4-c) (1)	No	No	No	Yes	Yes	No	No	No	No	No
	BMXFTA●●2 (item 4-c) (1)	No	No	No	No	No	No	No	No	Yes	No
	BMXFTA●●22 (item 4-d) (1)	No	No	No	No	No	Yes	No	No	No	No
Quantities to be ordered		1	1	2	1	1	1	1	1	1	1
Passive connection sub-bases											
Optimum 16 channels (item 3)	ABE7H16C●● "Miniature"										
Universal 8 channels (item 7)	ABE7H08R21										
Universal 16 channels (item 3)	ABE7H16R1●●										
	ABE7H16R50										
	ABE7H16R2●●										
	ABE7H16S21										
	ABE7H16S31										
	ABE7H16R23										
	ABE7H16S43										
ABE7H16F43											
Input adapter sub-bases with solid state relays											
Universal 16 channels (item 3)	ABE7S16E2●●● Fixed solid state relays, removable terminal blocks										
	ABE7P16F310, ABE7P16F312 Plug-in solid state relays										
Output adapter sub-bases with fixed relays, removable terminal blocks											
Optimum & Universal 8 channels (item 7)	ABE7R08S111, ABE7R08S210 Electromechanical relays										
	ABE7S16S●B●● Solid state relays										
Optimum & Universal 16 channels (item 3)	ABE7R16S111●, ABE7R16S210, ABE7R16S212 Electromechanical relays										
	Output adapter sub-bases with plug-in relays										
Optimum & Universal 16 channels (item 3)	ABE7R16T●●●, ABE7R16M111 Electromechanical relays										
	ABE7P16T●●● Solid state and/or electromechanical relays										
Sub-bases for analog I/O											
4 channels (item 5)	ABE7CPA410										
	ABE7CPA412										
2 channels (item 5)	ABE7CPA21										
8 channels (item 5)	ABE7CPA02										
	ABE7CPA03										
	ABE7CPA31										
	ABE7CPA31E										

Compatible
Not compatible

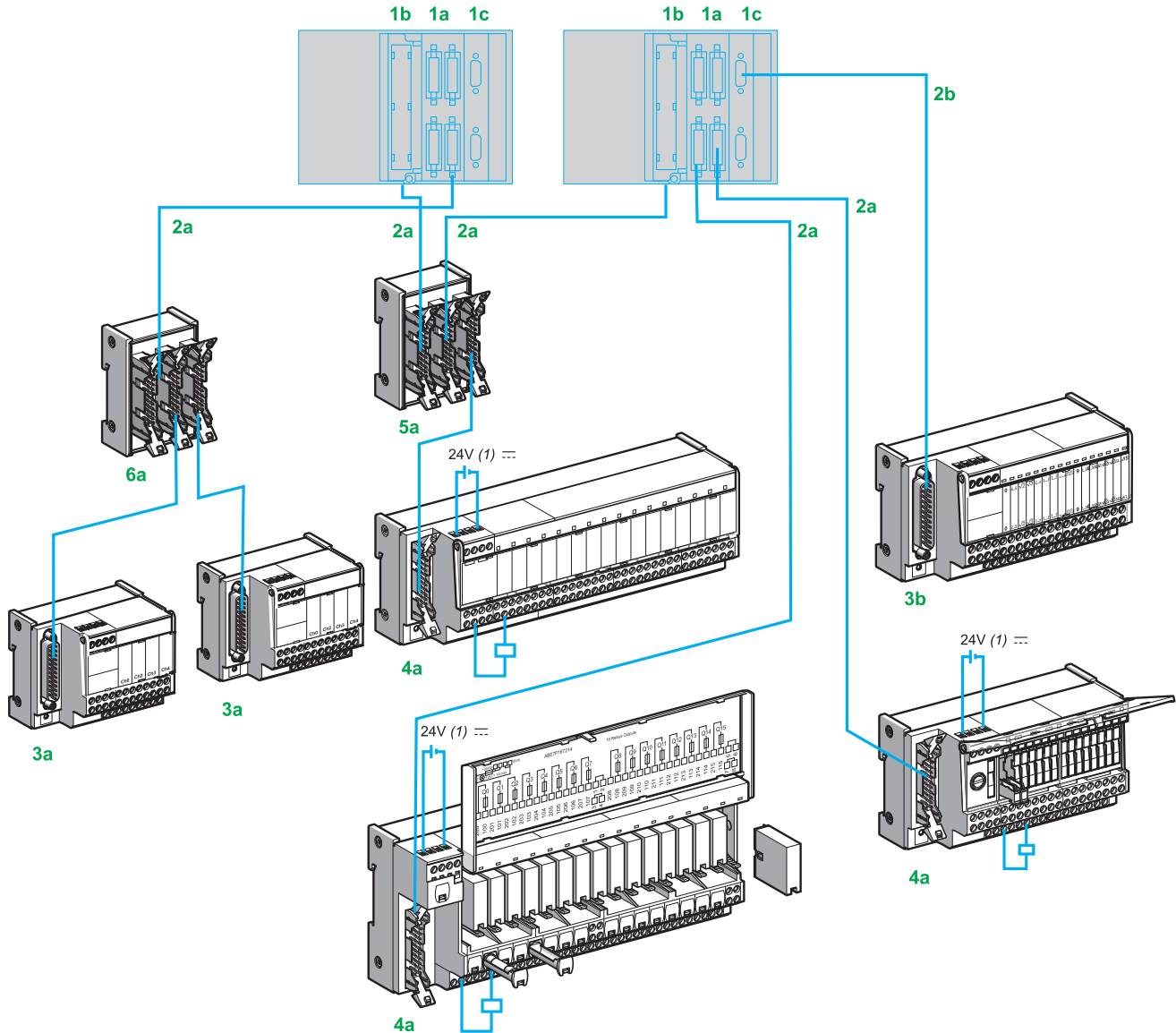
(1) References for cordsets: to be completed, please refer to our "Modicon X80 I/O Platform" offer for Modicon M340, Modicon M580, and Modicon Quantum.

Telefast Pre-wired System

Modicon ABE7 connection sub-bases

Connection sub-bases for Modicon Premium platform

Information retained for the Modicon Premium range no longer commercially available



- 1a** Discrete I/O modules equipped with HE 10 connectors
- 1b** Analog I/O modules, equipped with 25-way SUB-D connectors
- 1c** Application-specific modules equipped with screw terminals
- 2a** A single type of cordset equipped with 20-way HE 10 connectors, for 8, 12, or 16-channel modularity. The HE 10 connectors can be molded, **TSXCDP●●●** (AWG 22), or insulation piercing, **ABFH20H●●●** (AWG 28). These cordsets are available in various lengths. They use AWG 28 (0.08 mm²) for connecting input and output sub-bases rated 100 mA directly, as well as sub-bases with relays. Adapter **ABE7ACC02** allows connection of sub-bases with 8-channel modularity.
- 2b** All analog signals are connected with a **TSXCAP030/100** preassembled cordset equipped with 25-way SUB-D connectors, to provide shielding continuity.
- 3a** 8-channel Modicon Telefast ABE7 sub-bases
- 3b** Sub-bases dedicated to counter and analog channels:
 - **ABE7CPA02** for connecting current, voltage, or PT100 inputs on a screw terminal block
 - **ABE7CPA03** with 4-20 mA sensor loop power supply and 25 mA/channel limiter
 - **ABE7CPA21** for connecting output modules with 4 analog channels on a screw terminal block
 - **ABE7CPA31** with the 4-20 mA sensor loop isolated power supply for 8 input channels isolated from one another
- 4a** 16-channel Modicon Telefast ABE7 sub-bases
- 5a** Splitter sub-bases for connecting discrete I/O in parallel from a Modicon Telefast ABE7 sub-base on 2 different PLCs:
 - **ABE7ACC10** for output redundancy
 - **ABE7ACC11** for input redundancy
- 6a** **ABE7CPA01** sub-base dedicated to connecting axis control and counter inputs on a terminal block

(1) The 24 V ⋯ power supply is connected using Telefast sub-bases only. The 0 V ⋯ connections must be equipotential.

Information retained for the Modicon Premium range no longer commercially available

Combinations of discrete I/O on the Modicon Premium platform with ABE7 sub-bases

(For item numbers, see Presentation on page 30)		Discrete I/O modules for Modicon Premium				
		Reference for 24 V \overline{DC} discrete I/O modules (item 1a)				
		Inputs		Outputs	Inputs/outputs	
		4 x 16 I 2 x 16 I	1 x 16 I	4 x 16 Q 2 x 16 Q	1 x 16 I	1 x 12 Q
		TSXDEY64D2K TSXDEY32D2K	TSXDEY16FK	TSXDSY64T2K TSXDSY32T2K	TSXDMY28FK	TSXDMY28RFK
Required cordsets						
Pre-formed cables (at both ends)	TSXCDP053, TSXCDP103, TSXCDP203, TSXCDP303, TSXCDP503 (item 2a) see page 21	Yes	Yes	Yes	Yes	Yes
	ABFH20H100, ABFH20H200 (item 2a) see page 20	Yes	Yes	Yes	Yes	Yes
Passive connection sub-bases						
Universal 8 channels (item 3a)	ABE7H08R21	(1)	(1)	(1)	(1)	
Universal 16 channels (item 4a)	ABE7H08R21, ABE7H16R10, ABE7H16R11, ABE7H16R50, ABE7H16R20, ABE7H16R21, ABE7H16S21, ABE7H16R31, ABE7H16R23					
	ABE7H16C10, ABE7H16C11, ABE7H16C21, ABE7H16C31					
	ABE7H20E, ABE7H20E100, ABE7H20E200 (2)					
	ABE7H16S21					
	ABE7H16R23					
	ABE7H16F43					
	ABE7H16S43					
Input adapter sub-bases with solid state relays						
Universal 16 channels (item 4a)	ABE7S16E2B1, ABE7S16E2E1, ABE7S16E2E0, ABE7S16E2F0, ABE7S16E2M0 Fixed solid state relays, removable terminal blocks					
	ABE7P16F310, ABE7P16F312 Plug-in solid state relays					
Output adapter sub-bases with fixed relays, removable terminal blocks						
Optimum & Universal 8 channels (item 3a)	ABE7R08S111, ABE7R08S210 Electromechanical relays			(1)		
Optimum & Universal 16 channels (item 4a)	ABE7S16S2B0, ABE7S16S1B2 Solid state relays					
	ABE7R16S111, ABE7R16S210, ABE7R16S212 Electromechanical relays					
Output adapter sub-bases with plug-in relays						
Optimum & Universal 16 channels (item 4a)	ABE7R16T111, ABE7R16T210, ABE7R16T212, ABE7R16T230, ABE7R16T330, ABE7R16T370 Electromechanical relays					
	ABE7P16T111, ABE7P16T210, ABE7P16T230, ABE7P16T214, ABE7P16T215, ABE7P16T330, ABE7P16T334, ABE7P16T318 Solid state and/or electromechanical relays					

Compatible
Not compatible

(1) Using splitter sub-base ABE7ACC02, which allows 16 channels to be split into 2 x 8 channels.
 (2) ABE7H20E100 and ABE7H20E200 Economy sub-bases including cordset.

Information retained for the Modicon Premium range no longer commercially available

Combinations of analog I/O on the Modicon Premium platform with ABE7 sub-bases

(For item numbers, see Presentation on page 30)		Analog I/O modules for Modicon Premium						
		Reference for analog I/O modules (item 1b)						
		Inputs				Outputs		Thermocouple inputs
		2 x 8 I	8 I	8 I	4 I	4 Q	8 Q	2 x 8 I
		TSXAEY1600	TSXAEY800	TSXAEY810	TSXAEY420	TSXASY410	TSXASY800	TSXAEY1614
Required cordsets								
Pre-formed cables (at both ends)	TSXCAP●●0 (item 2b)	Yes	Yes	Yes	Yes	(2)	Yes	Yes
Passive connection sub-bases								
Universal 8 channels (item 3a)	ABE7H08R21							
Universal 16 channels (item 4a)	ABE7H16R●●							
	ABE7H16C●●							
	ABE7H20E●●● (1)							
	ABE7H16S21							
	ABE7H16R23							
	ABE7H16F43							
	ABE7H16S43							
Input adapter sub-bases with solid state relays								
Universal 16 channels (item 4a)	ABE7S16E2●●							
	Fixed solid state relays, removable terminal blocks							
	ABE7P16F3●●							
	Plug-in solid state relays							
Output adapter sub-bases with fixed relays, removable terminal blocks								
Optimum & Universal 8 channels (item 3a)	ABE7R08S111, ABE7R08S210							
	Electromechanical relays							
Optimum & Universal 16 channels (item 4a)	ABE7S16S●●●							
	Solid state relays							
	ABE7R16S●●●							
	Electromechanical relays							
Output adapter sub-bases with plug-in relays								
Optimum & Universal 16 channels (item 4a)	ABE7R16T●●●							
	Electromechanical relays							
	ABE7P16T●●●							
	Solid state and/or electromechanical relays							
Sub-bases for analog channels								
ABE7CPA01 (item 6a)								
ABE7CPA02 (item 3b)								
ABE7CPA21 (item 3b)				(2)				
ABE7CPA03 (item 3b)				(3)				
ABE7CPA31 (item 3b)								

Compatible
Not compatible

(1) ABE7H20E100 and ABE7H20E200 Economy sub-bases including cordset.
 (2) ABFY25S200 cabled connector equipped with TSXBLY01 terminal block.
 (3) Only the first 4 channels are balanced.

Information retained for the Modicon Premium range no longer commercially available

Combinations of application-specific I/O on the Modicon Premium platform with ABE7 sub-bases

(For item numbers, see Presentation on page 30)

		Application-specific I/O modules for Modicon Premium					
		Reference for application-specific I/O modules (item 1c)					
		Axis control		Counter		High-speed counter	
		Speed reference	Auxiliary inputs	Auxiliary inputs	Counter	Auxiliary inputs	Counter
		TSXCAY●1, TSXCFY●A		TSXCTY●A		TSXCTY2C	
Required cordsets							
Pre-formed cables (at both ends)	TSXCAP030 (item 2b)	Yes	No	No	Yes	No	Yes
	TSXCDP053, TSXCDP103, TSXCDP203, TSXCDP303, TSXCDP503 (item 2a)	No	Yes	Yes	No	Yes	No
Passive connection sub-bases							
Universal 8 channels (item 3a)	ABE7H08R21			(1)			
Universal 16 channels (item 4a)	ABE7H16R20, ABE7H16R21, ABE7H16S21, ABE7H16R31, ABE7H16R23		ABE7H16R20	ABE7H16R20 (2)		ABE7H16R20 (2)	
	ABE7H16C10, ABE7H16C11, ABE7H16C21, ABE7H16C31		ABE7H16R20	ABE7H16R20 (2)			
	ABE7H20E, ABE7H20E100, ABE7H20E200 (2)		ABE7H16R20	ABE7H16R20 (2)			
	ABE7H16S21						
	ABE7H16R23						
	ABE7H16F43						
	ABE7H16S43						
Input adapter sub-bases with solid state relays							
Universal 16 channels (item 5)	ABE7S16E2●● Fixed solid state relays, removable terminal blocks						
	ABE7P16F3●● Plug-in solid state relays						
Output adapter sub-bases with fixed relays, removable terminal blocks							
Optimum & Universal 8 channels (item 3a)	ABE7R08S111, ABE7R08S210 Electromechanical relays						
Optimum & Universal 16 channels (item 4a)	ABE7S16S●●● Solid state relays						
	ABE7R16S●●● Electromechanical relays						
Output adapter sub-bases with plug-in relays							
Optimum & Universal 16 channels (item 4a)	ABE7R16T●●● Electromechanical relays						
	ABE7P16T●●● Solid state and/or electromechanical relays						
Sub-bases for counter channels							
ABE7CPA01 (item 6a)							
ABE7CPA02 (item 3b)							
ABE7CPA21 (item 3b)							
ABE7CPA03 (item 3b)							
ABE7CPA31 (item 3b)							

Compatible

Not compatible

(1) 1-channel connection

(2) 2-channel connection

(2) ABE7H20E100 and ABE7H20E200 Economy sub-bases including cordset

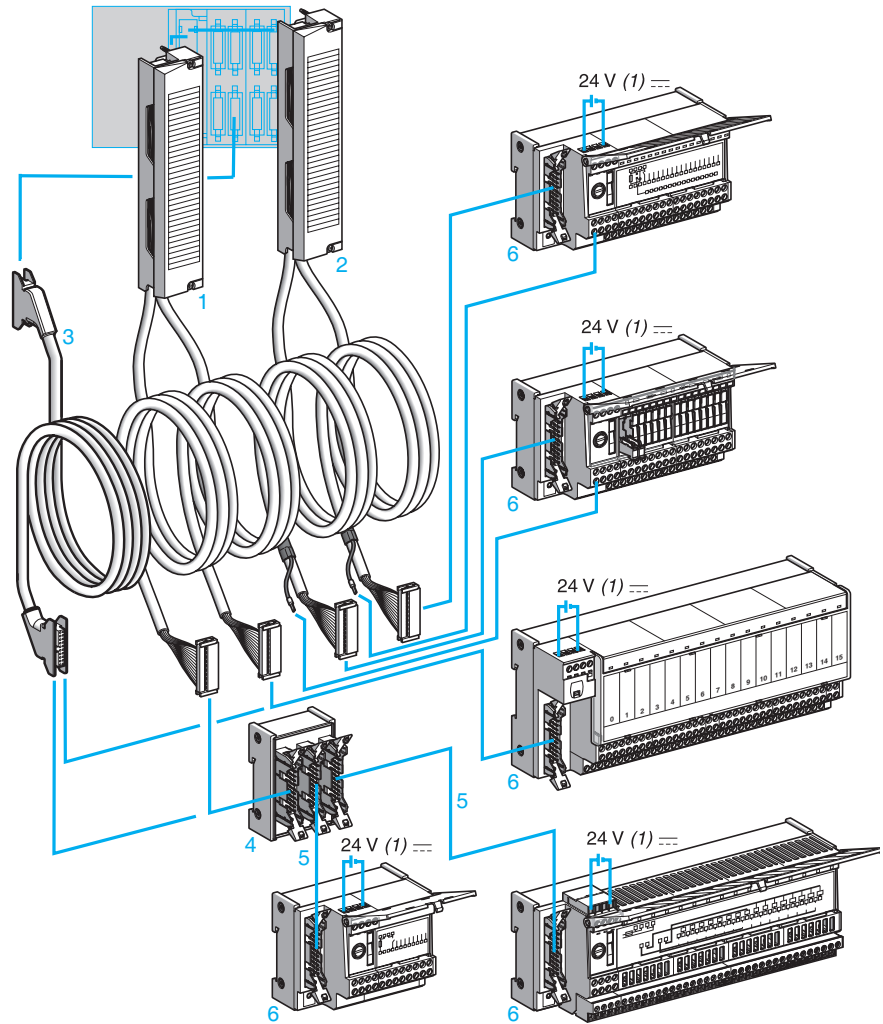
(3) Compatible with module TSXCAY●1 only.

Telefast Pre-wired System

Modicon ABE7 connection sub-bases

Connection sub-bases for I/O modules for Modicon Quantum platforms

Information retained for the Modicon Quantum range no longer commercially available





- 1-2 Cabled connectors combining a standard screw terminal block, two multicore (AWG 22) cables and two 20-way HE 10 connectors. Two types of cabled connector are available:
 - **ABFM32H300 1** cabled connectors for I/O modules (32 channels) on the Modicon Quantum platform, with 2 HE 10 connectors each integrating 16 channels
 - **ABFM32H301 2** cabled connector I/O modules (32 channels) on the Modicon Quantum platform, with 2 HE 10 connectors each integrating 16 channels and an external power supply with a direct connection to the terminal marked (1) on the sub-bases 6
- 3 Cordsets (AWG 22) equipped with a 20-way HE 10 connector **TSXCDP053/●03** for 96-channel I/O modules (connected on six 20-way HE 10 connectors)
- 4 **ABE7ACC02** splitter box (16 to 2 x 8 channels) for use with 8-channel sub-bases
- 5 A single type of cordset equipped with 20-way HE 10 connectors, irrespective of the 8 or 16-channel modularity. The HE 10 connectors can be molded **TSXCDP●●●** or insulation piercing **ABFH20H●●●**.
- 6 8- and 16-channel connection sub-bases from the Modicon ABE 7 range

(1) The 24 V --- power supply for the Quantum I/O modules must only be connected via Telefast ABE7 sub-bases. The 0 V --- connections must be equipotential.

Information retained for the Modicon Quantum range no longer commercially available

Quantum I/O modules								
	24 V --- discrete I/O				Analog I/O			
	Inputs	Outputs	Inputs	Outputs	Inputs	Outputs		
	32 I	32 Q	96 I	96 Q	8 I	4 Q	8 Q	
	140DDI35300 140DDI85300	140DDO35300	140DDI36400	140DDO36400	140AVI03000 140ACI03000	140AVO02000	140ACO02000	140ACO13000
Cabled connectors	ABFM32H300	ABFM32H301	-	-	ABFM08S201	-	-	-
Cordsets	-	-	TSXCDP053, TSXCDP103, TSXCDP203, TSXCDP303, TSXCDP503	-	-	-	-	-
Passive sub-bases								
8 channels	ABE7H08R21	(1)		(1)				
16 channels	ABE7H16R10, ABE7H16R11, ABE7H16R50, ABE7H16R20, ABE7H16R21, ABE7H16R31 ABE7H16C10, ABE7H16C11, ABE7H16C21, ABE7H16C31 ABE7H16S21 ABE7H16R23 ABE7H16F43 ABE7H16S43							
		(2)						
		(3)						
Input adapter sub-bases								
16 channels	ABE7S16E2B1, ABE7P16F310, ABE7P16F312							
Output adapter sub-bases								
8 channels	ABE7R08S111, ABE7R08S210	(1)		(1)				
16 channels	ABE7R16S111, ABE7R16S210, ABE7R16S212 ABE7R16T111, ABE7R16T210, ABE7R16T212, ABE7R16T230, ABE7R16T330, ABE7R16T370 ABE7P16T111, ABE7P16T210, ABE7P16T230, ABE7P16T214, ABE7P16T215, ABE7P16T330, ABE7P16T334, ABE7P16T318 ABE7S16S2B0, ABE7S16S1B2							
Sub-bases for analog I/O								
4 channels	ABE7CPA21							
8 channels	ABE7CPA02 ABE7CPA03 ABE7CPA31							

 ABE7H08R21, ABE7H16R21, ABE7H16S43, ABE7R08S111, ABE7R08S210, ABE7R16S111, ABE7R16S210, ABE7R16S212, ABE7R16T111, ABE7R16T210, ABE7R16T212, ABE7R16T230, ABE7R16T330, ABE7R16T370, ABE7P16T111, ABE7P16T210, ABE7P16T230, ABE7P16T214, ABE7P16T215, ABE7P16T330, ABE7P16T334, ABE7P16T318, ABE7S16S2B0, ABE7S16S1B2 cabled connectors

 TSXCDP053, TSXCDP103, TSXCDP203, TSXCDP303, TSXCDP503 cordsets

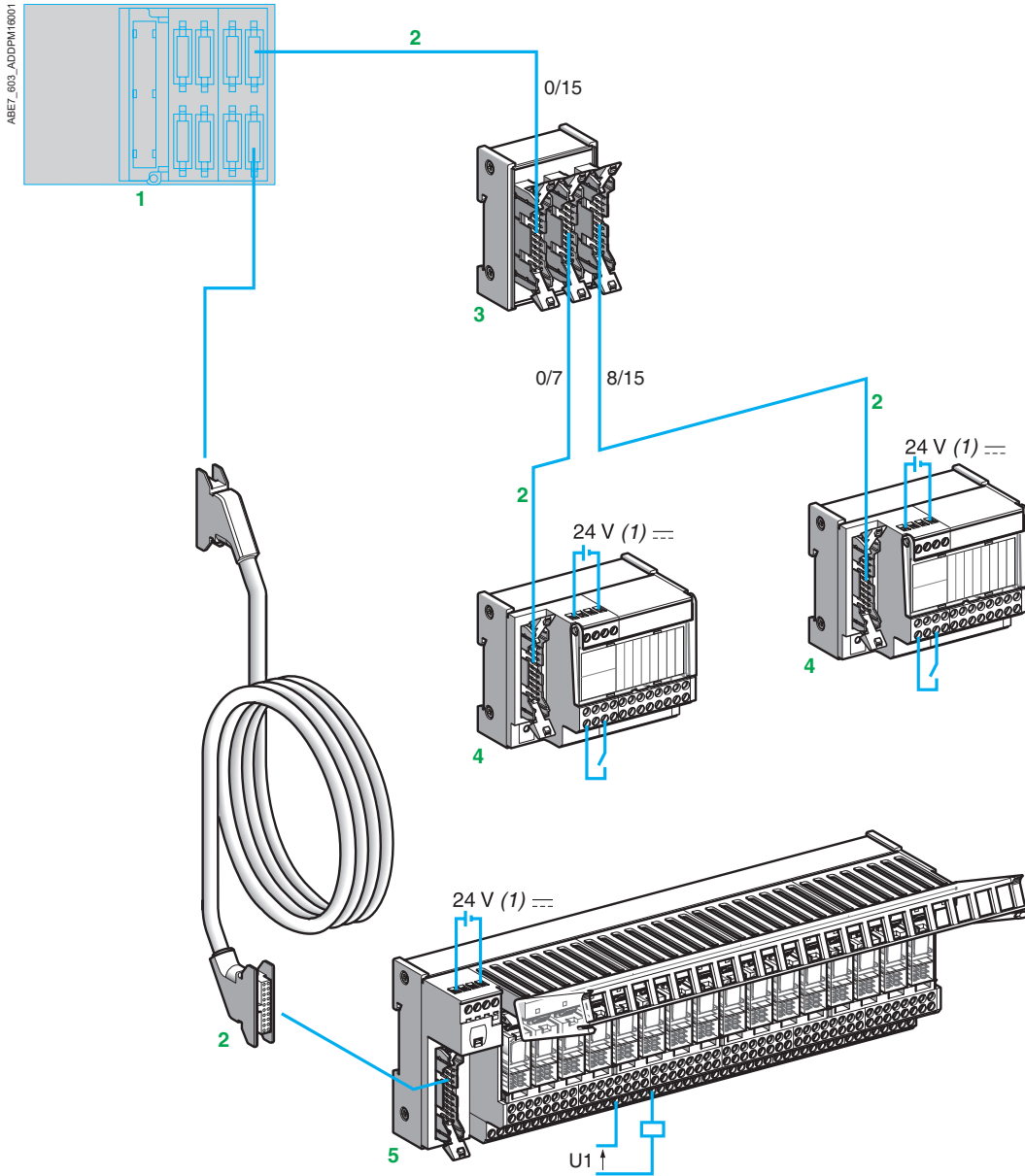
Note: For harsh environments, Modicon ABE9 IP67 passive splitter boxes can be used in combination with I/O modules on the Modicon Quantum platform. Main characteristics:

- 8/16 I/O channels
- Connection of 1 to 16 sensors/actuators
- M12 I/O connectors
- Connection to the PLC by connector or multicore cable
- IP67 degree of protection
- Plastic case

See pages 40 and 42.

- (1) With the ABE7ACC02 splitter sub-base (16 channels as 2 x 8)
 (2) With 140DDI35300 module only
 (3) With 140DDI85300 module only

Information retained for after-sales service



- 1 I/O modules equipped with HE 10 connectors. Available in modules of 8, 12, 28, and 64 I/O.
- 2 A single type of cordset equipped with 20-way HE 10 connectors, irrespective of the 8-, 12-, or 16-channel modularity. The HE 10 connectors can be molded (TSXCDP●●●) or insulation piercing (ABFH20H●●●). These cordsets are available in 0.5 m/1.64 ft, 1 m/3.28 ft, 2 m/6.56 ft, 3 m/9.84 ft, and 5 m/16.4 ft lengths. They use AWG 28 (0.08 mm²) for connecting inputs and relay sub-bases, and AWG 22 (0.324 mm²) for direct connection of 0.5 A outputs of 8 and 28 I/O modules.
- 3 16 channels may be split into 2 x 8 channels using splitter sub-base ABE7ACC02.
- 4-5 8-channel and 16-channel sub-bases respectively.

(1) The 24 V --- power supply is connected using Telefast sub-bases only. The 0 V --- connections must be equipotential.


Information retained for after-sales service

Combinations

I/O modules for TSX Micro PLCs

	24 V \square discrete					I/O		Inputs	Outputs	Counter		Analog and counter
						Auxiliary inputs	Counter					
	8 I + 8 Q	1 x 16 I	1 x 12 Q	2 x 16 I	2 x 16 Q	1 x 12 I	1 x 8 Q	-	-	-		
Integrated in the PLCs	-	TSX3710128DTK1		TSX3710164DTK1		-	-	-	-	-	TSX3722001	
	-	-	-	-	-	-	-	-	-	-	TSX3722011	
With modules	TSX DMZ16DTK	TSX DMZ28DTK		TSX DMZ64DTK		TSX DEZ12D2K	TSX DSZ08T2K	TSX CTZ1A	TSX CTZ1A	-	-	
	-	-	-	-	-	-	-	TSX CTZ1A	TSX CTZ1A	-	-	
Connection sub-bases												
8 channels	ABE7H08R21		(1)		(1)	(1)						
16 channels	ABE7H16R20, ABE7H16R21, ABE7H16S21, ABE7H16R31, ABE7H16R23 ABE7H16C10, ABE7H16C11, ABE7H16C21, ABE7H16C31 ABE7H20E, ABE7H20E100, ABE7H20E200 (2) ABE7H16S21 ABE7H16R23 ABE7H16F43 ABE7H16S43								ABE7H16R20 (3)			
Input adapter sub-bases												
16 channels	ABE7S16E2B1, ABE7S16E2E1, ABE7S16E2E0, ABE7S16E2F0, ABE7S16E2M0 ABE7P16F310, ABE7P16F312						(4)					
							(4)					
Input and output adapter sub-bases												
16 channels	ABE7R16M111											
8 I + 8 Q												
Output adapter sub-bases												
8 channels	ABE7R08S111, ABE7R08S210					(1)						
16 channels	ABE7S16S2B0, ABE7S16S1B2 ABE7R16S111, ABE7R16S210, ABE7R16S212 ABE7R16T111, ABE7R16T210, ABE7R16T212, ABE7R16T230, ABE7R16T330, ABE7R16T370 ABE7P16T111, ABE7P16T210, ABE7P16T230, ABE7P16T214, ABE7P16T215, ABE7P16T330, ABE7P16T334, ABE7P16T318			(5)								
				(5)								
				(5)								
Sub-bases for analog/counter I/O												
	ABE7CPA01											
	ABE7CPA11											
	ABE7CPA02											
	ABE7CPA03											

- (1) Using splitter sub-base ABE7ACC02, which allows 16 channels to be split into 2 x 8 channels.
- (2) ABE7H20E100 and ABE7H20E200 Economy sub-bases including cordset.
- (3) With TSXCTZ2A module, to be used with sub-bases with no LED.
- (4) The last four channels are not used.
- (5) The last four channels are not used and remain at state 1.

 Preassembled cordsets

Telefast Pre-wired System

Modicon ABE7 connection sub-bases

Connection sub-bases for Modicon STB (distributed I/O solution)

Presentation (1)

Using the Telefast connector or adapter system rationalizes and simplifies electrical enclosure wiring. Far less space is required in the enclosure and the Modicon ABE7 sub-base replaces the connection terminals at the bottom of the enclosure. The Telefast wiring system is particularly suitable for applications requiring:

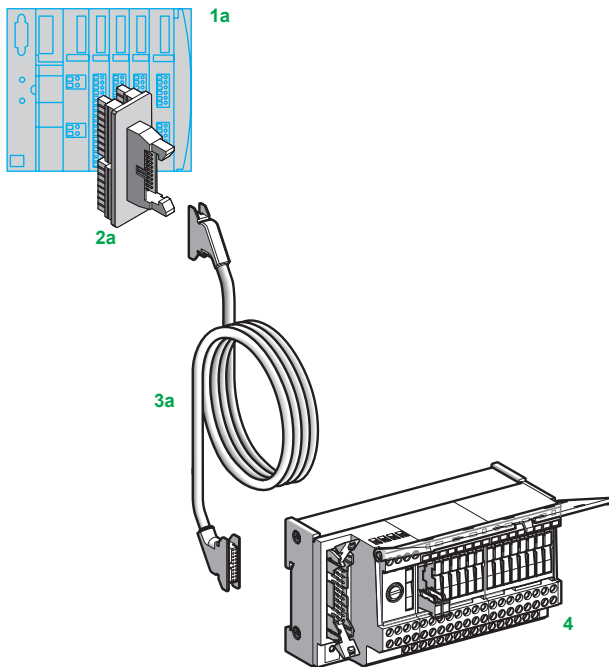
- 48 V $\overline{\text{---}}$ and 48 V \sim I/O
- A large number of 115 V \sim and 230 V \sim I/O
- A large number of relay outputs

Connection of Modicon STB I/O modules to the Telefast system differs according to the type of module:

- **STBDDI3725** and **STBDDO3705** 16-channel digital I/O modules: connection via Telefast HE 10 connectors and their associated Telefast cables. These connection components must be ordered separately (see description below and combinations on [page 39](#)).
- Other Modicon STB digital and analog I/O modules: connection via screw or spring-type 5/6-way removable connectors, supplied with the I/O modules and the associated pre-wired cables. The latter must be ordered separately (see below).

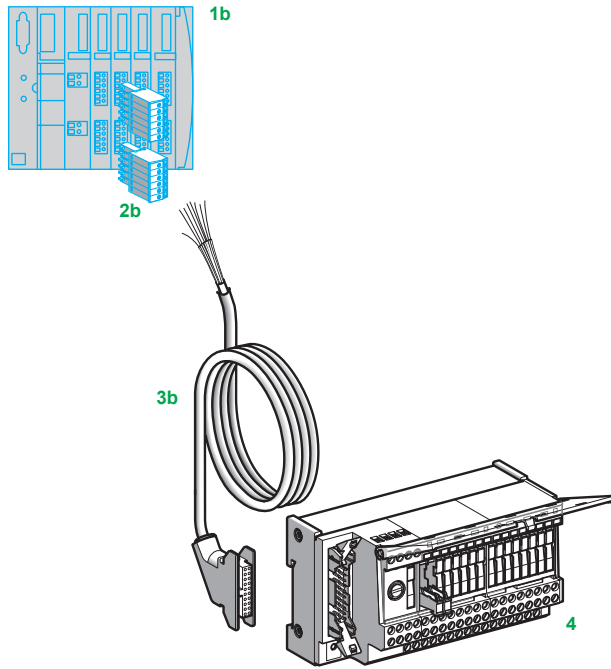
Description (1)

STBDDI3725 and STBDDO3705 16-channel digital I/O modules



- 1a Modicon STB I/O island incorporating a STBDDI3725 or STBDDO3705 module with 16 I/O
- 2a STBXTS5●10 (DDI) or STBXTS6●90 (DDO) HE10 connector
- 3a TSXCDP●02 or TSXCDP●03 connection cable equipped with two 20-way HE10 connectors
- 4 Modicon ABE7 connection or adapter sub-base (see compatibility table on [page 39](#))

Other Modicon STB digital and analog I/O modules



- 1b Modicon STB I/O island incorporating a digital I/O module STBDDI/DDO●●●●K (except for 16-channel modules) or an STBAVI/ACI/ART/AVO/ACO●●●●K analog I/O module
- 2b Screw or spring-type 5/6-way removable connectors, supplied with the STB I/O module
- 3b TSXCDP301/501/1001 pre-wired cable (3, 5, or 10 m/9.84, 16.4, or 32.81 ft), with HE10 connector at one end and flying leads at the other end (cross-section 0.324 mm², AWG24)
- 4 Modicon ABE7 connection or adapter sub-base

Redundancy solution for Modicon STB I/O (1)

Two Modicon STB I/O modules of the same type, located in two separate islands, can be connected to a single Telefast pre-wired sub-base (I/O redundancy). This configuration is used, for example, in the context of a Premium Hot Standby architecture (please refer to our "Modicon Premium automation platform" catalog).

Digital I/O modules are connected via an **ABE7ACC11** (inputs) or **ABE7ACC10** (outputs) redundancy sub-base and the same connectors and cables or ribbon cables used for single connections.

STB analog I/O modules are connected via JM Concept JK 3000 N2 (inputs) and GK 3000 D1 (outputs) analog I/O multiplexers.

(1) If you require any more information on the Telefast pre-wired system, please contact our [Customer Care Center](#).

Combinations of STB modules with 16 digital I/O and Modicon ABE7 sub-bases (1) (2)							
Modicon ABE7 sub-bases (Item 4)		STBDDI3725 (item 1a)	STBDDO3705 (item 1a)	Ribbon cables (item 3a)	Cables (item 3a)		
		Associated STBXTS●●●● connector (item 2a)					
Passive connection sub-bases (16-channel)							
Universal	ABE7H16R10, ABE7H16R11, ABE7H16R50, ABE7H16R20, ABE7H16R21, ABE7H16R31, ABE7H16R23	STBXTS6510	STBXTS6610	TSXCDP102, TSXCDP202, TSXCDP302 (100 mA total max.) (3) or ABFH20H100, ABFH20H200 (> 500 mA total max.)	TSXCDP053, TSXCDP103, TSXCDP203, TSXCDP303, TSXCDP503 (> 500 mA total max.) (4)		
	ABE7H16S21						
	ABE7H16S43						
	ABE7H16F43						
	ABE7H16C10						
Miniature	ABE7H16C11	STBXTS6510	STBXTS6610	ABFH20H100, ABFH20H200 (> 500 mA total max.)			
	ABE7H16C21						
	ABE7H16C31						
Input adapter active sub-bases (16-channel)							
Voltage		Modicon ABE7 sub-base					
V							
48 ---	ABE7S16E2E1	STBXTS6510		TSXCDP102, TSXCDP202, TSXCDP302, (100 mA total max.) (3) or ABFH20H100, ABFH20H200 (> 500 mA total max.)	TSXCDP053, TSXCDP103, TSXCDP203, TSXCDP303, TSXCDP503 (> 500 mA total max.) (4)		
48 ~	ABE7S16E2E0						
115 ~	ABE7S16E2F0						
230...240 ~	ABE7S16E2M0						
	ABE7P16F310						
	ABE7P16F312						
Output adapter active sub-bases (16-channel)							
Type	Voltage	Current per channel	Modicon sub-base ABE7	Relay			
	V	A					
Relay	24 ---	0.5	ABE7S16S2B0	–	STBXTS6610	TSXCDP102, TSXCDP202, TSXCDP302, (100 mA total max.) (3) or ABFH20H100, ABFH20H200 (> 500 mA total max.)	TSXCDP053, TSXCDP103, TSXCDP203, TSXCDP303, TSXCDP503 (> 500 mA total max.) (4)
		0.5	ABE7S16S1B2	–			
		≥ 0.7	ABE7P16T111, ABE7P16T210, ABE7P16T230, ABE7P16T214, ABE7P16T215, ABE7P16T330, ABE7P16T334, ABE7P16T318 (5)	–			
	48 ---	0.5	ABE7P16T210, ABE7P16T230, ABE7P16T214, ABE7P16T215 (5)	ABS7C2E			
		0.5	ABE7P16T210, ABE7P16T230, ABE7P16T214, ABE7P16T215 (5)	ABS7SA2M			
	115 ~	0.5	ABE7P16T210, ABE7P16T230, ABE7P16T214, ABE7P16T215 (5)	ABS7SA2M			
	230...240 ~	0.5	ABE7P16T210, ABE7P16T230, ABE7P16T214, ABE7P16T215 (5)	ABS7SA2M			
Solid-state	24...240 ~	1.5	ABE7P16T330, ABE7P16T334, ABE7P16T318	ABS7SA3MA			
	24...48 ---	1.5	ABE7P16T330, ABE7P16T334, ABE7P16T318	ABS7SC3E			
	24 ---	2	ABE7P16T330, ABE7P16T334, ABE7P16T318	ABS7SC3BA			
Economy relay	30 ---	2	ABE7R16S111, ABE7R16S210, ABE7R16S212	–			
		2.5	ABE7R16S210, ABE7R16S212	–			
	230 ~	2	ABE7R16S111, ABE7R16S210, ABE7R16S212	–			
		2.5	ABE7R16S210, ABE7R16S212	–			
Compatible		⚠ The STB module can provide the 24 V --- power to the Modicon ABE7 block provided the current does not exceed 50 mA per group of 4 channels. Otherwise an external power supply will be required and only the reference 0 V should be connected between the STB module and the ABE7 block.					
Not compatible							

(1) Combinations given for 16-channel Modicon STB digital I/O modules (STBDDI3725, STBDDO3705). For other Modicon STB modules (1b), connectors (2b) are included with the modules and the connection is made via TSXCDP●●●● pre-wired cable (3b). See page 38.

(2) The item numbers indicated in this table correspond to the item numbers mentioned in the description on page 38.

(3) In 1 to 5 m (3.28 to 16.4 ft) lengths.

(4) In 0.5 m to 5 m (1.64 to 16.4 ft) lengths.

(5) Empty sub-bases.

The Modicon ABE9 product references are for after-sales service purposes only.
For availability inquiries, please contact the Maintenance, Repairs and Operations department.

Splitter box and interface type

IP67 passive splitter boxes



Fieldbus type

—

Inputs/outputs

Discrete

Analog

8 I/O (4 channels), 16 I/O (8 channels)

—

Functions

Connection of 1 to 16 sensors/actuators
LED indicator depending on model

Connections

Sensors/actuators

Control system

Female M12, 5-way connectors		
Male M23 connector	Multicore cable	
	Length 5 m (16.4 ft)	Length 10 m (32.81 ft)

Housing type

Plastic

Module type

ABE 9C12●●C23 **ABE 9C12●●L05** **ABE 9C12●●L10**

Page

42

The Modicon ABE9 product references are for after-sales service purposes only.
For availability inquiries, please contact the Maintenance, Repairs and Operations department.

Presentation

■ ABE9 passive splitter boxes for M12 connectors make it possible to eliminate long and difficult cabling operations. Their modularity and dimensions mean they are the ideal solution for a wide variety of customer applications.

Connection to the processing unit can either be made by connector or by multicore cable of different lengths.

IP67 protection allows these products to be used within processes or machines in harsh environments (splashing water, oil, dust, etc.).

The splitter boxes, available in 4 or 8-channel versions, allow connection of up to 16 signals maximum, depending on the version (2 per channel).

The characteristics of ABE9C12 splitter boxes are as follows:

- Connection of sensors and actuators using M12, 5-way connectors
- Modularity: 4 or 8 channels
- Mounting system and connection to the processing unit conforming to market standards:

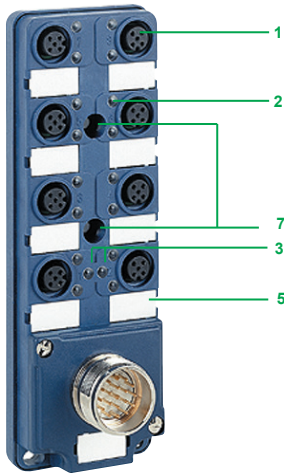
- center-to-center distances
- M23, 19-way connector, enabling the use of preassembled cables in order to reduce installation time and the risk of error
- multicore cable, 5 or 10 meters long. The splitter box comprises a connection cover equipped with plug-in terminals, which provides considerable flexibility for replacing damaged parts and changing the cable length.

ABE9C12●●L●● sub-bases enable the use of 2 separate commons, which can be used for emergency stop management, for example. This function is accessible beneath the terminal cover using 2 removable links. If both links are removed, the 2 supplies become independent.

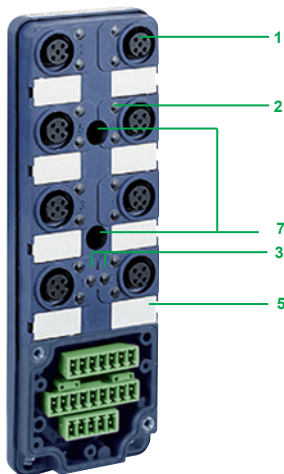
The use of a Y-connector allows 2 signals to be connected to the same M12 channel on the splitter box. For example, the **ABE9C1281** splitter box (8 channels) allows 16 signals to be connected to the processing unit.

The Y-connector is available in 2 versions:

- M12-M12 for connection of two M12 connectors to a single M12 channel on the splitter box
- M8-M12 for connection of two M8 connectors to a single M12 channel on the splitter box



ABE9C12●●C23



ABE9C12●●L●●



Complete reference	= Splitter box only	+ Connector with cable
ABE9C1240L05	= ABE9C1240M	+ ABE9XCA1405 (1)
ABE9C1240L10	= ABE9C1240M	+ ABE9XCA1410
ABE9C1241L05	= ABE9C1241M	+ ABE9XCA1405 (1)
ABE9C1241L10	= ABE9C1241M	+ ABE9XCA1410
ABE9C1280L05	= ABE9C1280M	+ ABE9XCA1805
ABE9C1280L10	= ABE9C1280M	+ ABE9XCA1810
ABE9C1281L05	= ABE9C1281M	+ ABE9XCA1805
ABE9C1281L10	= ABE9C1281M	+ ABE9XCA1810

Connector only
ABE9CM12C

Description

ABE9C12●●C23 passive splitter boxes have the following on the front face:

- 1 Four or eight M12 female connectors (depending on model) for connection of sensors and actuators (2 channels per connector)
- 2 Eight or sixteen channel status indicator lights (depending on model)
- 3 One "Power on" indicator light on the splitter box (depending on model)
- 4 One M23, 19-way male connector
- 5 Four or eight channel marker labels
- 6 One splitter box marker label
- 7 Splitter box fixing holes

ABE9C12●●L●● passive splitter boxes have the following on the front face:

- 1 Four or eight M12 female connectors (depending on model) for connection of sensors and actuators (2 channels per connector)
- 2 Eight or sixteen channel status indicator lights (depending on model)
- 3 Two "Power on" indicator lights on the splitter box (depending on model)
- 4 One removable connection cover equipped with plug-in terminals
- 5 Four or eight channel marker labels
- 6 One splitter box marker label
- 7 Splitter box fixing holes

(1) Product no longer commercially available, replaced by ABE9XCA1410.

The Modicon ABE9 product references are for after-sales service purposes only.
For availability inquiries, please contact the Maintenance, Repairs and Operations department.



ABE9C124●C23



ABE9C128●C23



ABE9C124●L●●



ABE9C128●L●●



ABE9C128●M



ABE9XCA1●●●



FTXCY1212

References

Splitter boxes with connection by M23 connector

Number of channels	Connection by	LED indicator	Reference	Weight kg lb
4	4 x M12 female connectors	Yes	ABE9C1241C23	0.080 0.176
		No	ABE9C1280C23	0.140 0.309
8	8 x M12 female connectors	Yes	ABE9C1281C23	0.140 0.309
		No	ABE9C1280C23	0.140 0.309

Splitter boxes with connection by cable

Number of channels	Connection by	Length m ft	LED indicator	Reference	Weight kg lb
4	4 x M12 female connectors	5 16.4	Yes	ABE9C1241L05	0.680 1.499
			No	ABE9C1240L05	0.680 1.499
		10 32.8	Yes	ABE9C1241L10	1.700 3.747
			No	ABE9C1240L10	1.700 3.747
8	8 x M12 female connectors	5 16.4	Yes	ABE9C1281L05	1.610 3.549
			No	ABE9C1280L05	1.610 3.549
		10 32.8	Yes	ABE9C1281L10	3.060 6.746
			No	ABE9C1280L10	3.060 6.746

Splitter boxes only, M12

Number of channels	For use with connector		LED indicator	Reference	Weight kg lb
	Terminal block	With cable			
4	ABE9CM12C	ABE9XCA14●●	Yes	ABE9C1241M	0.060 0.132
			No	ABE9C1240M	0.060 0.132
8	ABE9CM12C	ABE9XCA18●●	Yes	ABE9C1281M	0.100 0.220
			No	ABE9C1280M	0.100 0.220

Separate components

Type	No. of channels	For use with splitter box	Length m ft	Reference	Weight kg lb
Terminal block connector (1)	-	ABE9C124●M	-	ABE9CM12C	0.040
		ABE9C128●M	-		0.088
Connectors with cable	4	ABE9C124●M	10	ABE9XCA1410	2.080
			32.8		4.585
	8	ABE9C128●M	5	ABE9XCA1805	1.510
			16.4		3.328
		10	ABE9XCA1810	2.240	
			32.8		4.938

Accessories

Description	Composition	Reference	Weight kg lb
Y-connectors	Connection of 2 x M8 connectors to M12 connector on splitter box	FTXCY1208	0.020 0.044
	Connection of 2 x M12 connectors to M12 connector on splitter box	FTXCY1212	0.030 0.066

(1) To be cabled by user.

The Modicon ABE9 product references are for after-sales service purposes only.
 For availability inquiries, please contact the Maintenance, Repairs and Operations department.

ABE7S16E2F0	11 17 25 28 31 37 39	ABFH34M200	20	F	
		ABFM08S201	21 35	FTXCY1208	43
		ABFM32H300	21 35	FTXCY1212	43
		ABFM32H301	21 35	S	
ABE7S16E2M0	11 17 25 28 31 37 39	ABFT20E050	20	STBDDI3725	39
		ABFT20E100	20	STBDDO3705	39
		ABFT20E200	20	T	
		ABFTE20EP100	20	TM221M32TK	24
ABE7S16S1B2	11 17 25 28 31 37 39	ABFTE20EP200	20	TM221ME32TK	24
		ABFTE20EP300	20	TM3DI16K	24 25
		ABFTE20SP100	20	TM3DI32K	24 25
		ABFTE20SP200	20	TM3DQ16TK	25
		ABFTE20SP300	20	TM3DQ16UK	24 25
ABE7S16S2B0	11 17 25 28 31 35 37 39	ABR7S11	9 23	TM3DQ32TK	25
		ABR7S21	9 23	TM3DQ32UK	24 25
		ABR7S23	9 23	TSXCAP030	33
		ABR7S33	9 23	TSXCDP053	21 31 33 35
ABE7TES160	22	ABS7C2E	39	TSXCDP102	39
ABE9C1240L05	42 43	ABS7EA3B5	23	TSXCDP103	21 31 33 35
ABE9C1240L10	42 43	ABS7EA3E5	23	TSXCDP202	39
ABE9C1240M	42 43	ABS7EA3F5	23	TSXCDP203	21 31 33 35
ABE9C1241C23	43	ABS7EA3M5	23	TSXCDP302	39
ABE9C1241L05	42 43	ABS7EC3B2	23	TSXCDP303	21 31 33 35
ABE9C1241L10	42 43	ABS7EC3E2	23	TSXCDP503	21 31 33 35
ABE9C1241M	42 43	ABS7SA2M	9 23 39	TWDFCW30K	20
ABE9C1280C23	43	ABS7SA3M	9 23	TWDFCW50K	20
ABE9C1280L05	42 43	ABS7SA3MA	39		
ABE9C1280L10	42 43	ABS7SC1B	9 23		
ABE9C1280M	42 43	ABS7SC2E	9 23		
ABE9C1281C23	43	ABS7SC3BA	9 23 39		
ABE9C1281L05	42 43	ABS7SC3E	9 23 39		
ABE9C1281L10	42 43	AR1SB3	22		
ABE9C1281M	42 43	B			
ABE9CM12C	42 43	BMEAHI0812	29		
ABE9XCA1410	42 43	BMEAHO0412	29		
ABE9XCA1805	42 43	BMXAMI0410	29		
ABE9XCA1810	42 43	BMXAMI0800	29		
ABFC08R02B	22	BMXAMI0810	29		
ABFC08R02R	22	BMXAMO0210	29		
ABFH20H100	20 31	BMXAMO0410	29		
ABFH20H1000	20	BMXAMO0802	29		
ABFH20H200	20 31	BMXART0414	29		
ABFH20H301	20	BMXART0814	29		
ABFH34M100	20	BMXDDI3202K	28		
		BMXDDI6402K	28		
		BMXDDM3202K	28		
		BMXDDO3202K	28		
		BMXDDO6402K	28		

Life Is On



Learn more about our products at
www.se.com

The information provided in this documentation contains general descriptions and/or technical characteristics of the performance of the products contained herein. This documentation is not intended as a substitute for and is not to be used for determining suitability or reliability of these products for specific user applications. It is the duty of any such user or integrator to perform the appropriate and complete risk analysis, evaluation and testing of the products with respect to the relevant specific application or use thereof. Neither Schneider Electric nor any of its affiliates or subsidiaries shall be responsible or liable for misuse of the information contained herein.

Design: Schneider Electric
Photos: Schneider Electric

Schneider Electric Industries SAS

Head Office
35, rue Joseph Monier - CS 30323
F-92500 Rueil-Malmaison Cedex
France

DIA3ED2160602EN
January 2026 - V5.0